

- H306
- H406
- HC456
- HC456I
- HC456SI
- HC506
- HC506I
- HC506SI
- HC536
- HC556
- HC556I
- HC576I
- HC586

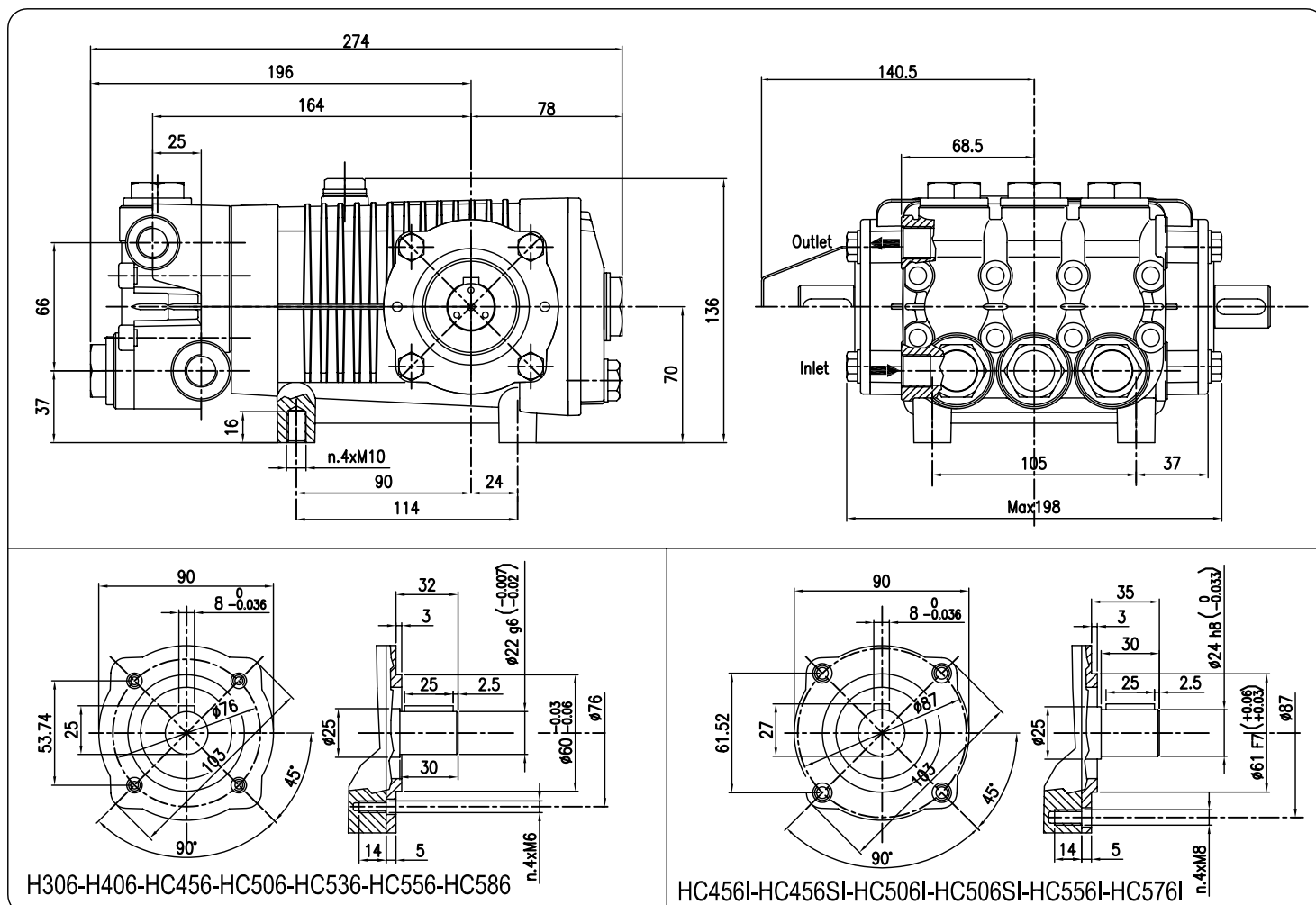
HAWK

Pompe MT-MTI serie 2008

MT-MTI pumps 2008 series

Pump Pompe Pumpen Pompa	Pressure Pression Druck Pressione		Volume Débit Leistung Portata		RPM tours/min u.p.m. giri/min	Required HP Puissance HP Leistung HP Potenza HP	Inlet port Entrée Eingang Aspirazione	Outlet Sortie Ausgang Mandata	Weight Kg Poids Kg Gewicht Kg Peso Kg
	bar	PSI	l/min	GPM					
H306	200	3000	12.5		1000	6.4	G 3/8	G 3/8	10
				4.0	1200	7.7			
H406	200	3000	15.0		1000	7.7	G 3/8	G 3/8	10
				4.8	1200	9.2			
HC456–HC456I	200	3000	12.5		1450	6.4	G 3/8	G 3/8	10
				4.0	1725	7.7			
HC456SI	200	3000	12.5		1450	6.4	G 1/2	G 3/8	10
				4.0	1725	7.7			
HC506–HC506I	200	3000	15.0		1450	7.7	G 3/8	G 3/8	10
				4.7	1725	9.2			
HC506SI	200	3000	15.0		1450	7.7	G 1/2	G 3/8	10
				4.7	1725	9.2			
HC536	200	3000	16		1450	8.2	G 1/2	G 3/8	10
				5.0	1725	9.7			
HC556–HC556I	200	3000	18		1450	9.2	G 1/2	G 3/8	10
				5.6	1725	11.0			
HC576I	200	3000	21		1450	10.7	G 1/2	G 3/8	10
				6.5	1725	12.7			
HC586	200	3000	21.5		1450	11.0	G 1/2	G 3/8	10
				6.75	1725	13.1			

Overall dimensions



Lubrificazione: Olio SAE 20/40W
Capacità 0.7 Litri

Lubrication: SAE 20/40W Oil
Capacity 0.7 Litri

Item	Part Number	Description	Q.ty by Pump	H306	H306RL	H406	H406RL	HC456	HC456RL	HC456IRL	HC456SIRL	HC506	HC506RL	HC506IRL	HC506SIRL	HC536RL	HC556	HC556IRL	HC576IRL	HC586RL	
1	0202.31	Crankcase	1	◆	◆	◆	◆	◆	◆		◆	◆				◆	◆			◆	
	0202.30	Crankcase	1							◆	◆			◆	◆			◆	◆		
2	0602.01	Plunger guide	3																		
*3	0001.03	Plunger oil seal	3																		
*4	0601.07	"O" Ring Ø1.78x31.47	3																		
*5	0002.05	"V" seal, dia.20mm	6	◆	◆	◆	◆	◆	◆	◆	◆	◆	◆	◆	◆	◆	◆	◆	◆	◆	
*6	1201.04	Pressure ring 20mm	3																		
*7	0300.09	Support ring 20mm	6																		
*8	0300.08	Intermed. ring 20mm	3																		
*9	1601.17	Brass plug G3/8	1	◆	◆	◆	◆	◆	◆			◆	◆								
	1601.20	Brass plug G1/2	1								◆				◆	◆	◆	◆	◆	◆	
*10	0603.06	Copper washer	1	◆	◆	◆	◆	◆	◆			◆	◆								
	0603.07	Copper washer	1								◆				◆	◆	◆	◆	◆	◆	
*11	1602.04	Manifold housing	1	◆	◆	◆	◆	◆	◆			◆	◆								
	1602.05	Manifold housing	1								◆				◆	◆	◆	◆	◆	◆	
*12	0601.19	"O" Ring Ø2.62x17.13	6																		
*13	3604.70	Valve assembly	6																		
*14	0601.65	"O" Ring Ø2.62x20.29	6	◆	◆	◆	◆	◆	◆	◆	◆	◆	◆	◆	◆	◆	◆	◆	◆	◆	
*15	1601.30	Valve plug	6																		
16	1801.04	Manifold stud bolt	8																		
17	1400.01	Washer	→	8	8	8	8	8	8	16	16	8	8	16	16	8	8	16	16	8	
	1400.02	Washer	8	◆	◆	◆	◆	◆	◆			◆	◆			◆	◆			◆	
*18	0603.06	Copper washer	1																		
*19	1601.17	Brass plug G3/8	2																		
20	1503.18	Valve seat	6																		
21	1202.00	Valve plate	6	◆	◆	◆	◆	◆	◆	◆	◆	◆	◆	◆	◆	◆	◆	◆	◆	◆	
22	0900.30	Valve spring	6																		
23	0604.05	Valve cage	6																		
24	1802.07	Hexagonal screw	8	◆	◆	◆	◆	◆	◆			◆	◆			◆	◆			◆	
	1801.19	Hexagonal screw	8							◆	◆			◆	◆			◆	◆		
25	0500.47	Bearing housing	→	2	1	2	1	2	1			2	1			1	2			1	
	0500.60	Bearing housing	→							1	1			1	1			1	1		
26	0500.48	Closed bearing housing	1		◆		◆	◆				◆				◆				◆	
	0500.61	Closed bearing housing	1						◆	◆			◆	◆				◆	◆		
27	0601.63	"O" Ring Ø1.78x60,05	2	◆	◆	◆	◆	◆	◆	◆	◆	◆	◆	◆	◆	◆	◆	◆	◆	◆	
28	0001.02	Crankshaft seal	→	2	1	2	1	2	1	1	1	2	1	1	1	1	2	1	1	1	
29	0200.06	Roller bearing	2	◆	◆	◆	◆	◆	◆	◆	◆	◆	◆	◆	◆	◆	◆	◆	◆	◆	◆
30	0004.01	Double-ended shaft	1			◆															
	0004.04	" " "	1									◆									
	0004.07	" " "	1	◆													◆				
	0004.08	" " "	1				◆														
31	0004.06	Single - ended shaft	1									◆									
	0004.10	" " "	1					◆													
	0004.11	" " "	1				◆													◆	
	0004.12	" " "	1		◆																
	0004.50	" " "	1															◆			
	0004.56	" " "	1						◆	◆											
	0004.57	" " "	1										◆	◆							
	0004.79	" " "	1													◆					
0004.82	" " "	1																	◆		
32	0206.00	Crankshaft key	1	◆	◆	◆	◆	◆	◆	◆	◆	◆	◆	◆	◆	◆	◆	◆	◆	◆	
33	1600.02	Oil dip stick	1																		

Item	Part Number	Description	Q.ty by Pump	H306	H306RL	H406	H406RL	HC456	HC456RL	HC456IRL	HC456SIRL	HC506	HC506RL	HC506IRL	HC506SIRL	HC536RL	HC556	HC556IRL	HC576IRL	HC586RL	
34	0301.02	Shim	1																		
*35	1800.01	Plunger bolt	3																		
*36	1400.12	Copper spacer	3																		
*37	0601.03	"O" Ring Ø1.78x7.66	3																		
*38	0009.04	Teflon ring	3																		
*39	1200.10	Plunger 20mm	3																		
*40	1400.15	Copper spacer	3																		
41	0003.01	Plunger rod	3																		
42	0100.01	Connecting rod	3	◆	◆	◆	◆	◆	◆	◆	◆	◆	◆	◆	◆	◆	◆	◆	◆	◆	◆
43	1502.01	Connecting rod pin	3																		
44	1801.05	Connecting rod screw	6																		
45	1500.01	Snap ring	6																		
46	1401.02	Spring washer	6																		
47	0601.88	"O" Ring Ø2,62x126,67	1																		
48	0203.53	Crankcase cover	1																		
49	0601.14	"O" Ring Ø1.78x14	1																		
50	0700.05	Sight glass, G3/4	1																		
51	1801.12	Cover screw	4																		
52	0205.03	Shaft protector	1	◆		◆		◆				◆					◆				
53	1804.03	Shaft protector Screw	2	◆		◆		◆				◆					◆				

in kit only

*	Part available in kit also
---	-------------------------------

SPARE PARTS KIT

Included Positions	Part Number & Description	Q.ty by Pump	H306	H306RL	H406	H406RL	HC456	HC456RL	HC456IRL	HC456SIRL	HC506	HC506RL	HC506IRL	HC506SIRL	HC536RL	HC556	HC556IRL	HC576IRL	HC586RL	
4- 5- 7	2608.01 Plunger Seals 20mm	1																		
3- 4- 5- 6- 7- 8	2608.00 Complete Seals Packing 20mm	3																		
35- 36- 37- 38 39- 40	2608.02 Plunger 20mm	3	◆	◆	◆	◆	◆	◆	◆	◆	◆	◆	◆	◆	◆	◆	◆	◆	◆	◆
12- 13- 14	2600.08 Complete Valve	6																		
3	2608.03 Plunger oil Seals	1																		
4- 5- 6- 7- 8- 9 10- 11- 12- 13 14- 15- 18- 19	2608.13 Complete Manifold 2608.14 Complete Manifold	1	◆	◆	◆	◆	◆	◆	◆		◆	◆	◆							
		1								◆				◆	◆	◆	◆	◆	◆	◆

Pos.	Codice	Descrizione	Q.tà per Pompa	H306	H306RL	H406	H406RL	HC456	HC456RL	HC456IRL	HC456SIRL	HC506	HC506RL	HC506IRL	HC506SIRL	HC536RL	HC556	HC556IRL	HC576IRL	HC586RL
1	0202.31	Carter	1	◆	◆	◆	◆	◆	◆			◆	◆			◆	◆			◆
	0202.30	Carter	1							◆	◆			◆	◆			◆	◆	
2	0602.01	Guida asta pistone	3																	
*3	0001.03	Anello radiale	3																	
*4	0601.07	"O" Ring Ø1.78x31.47	3																	
*5	0002.05	Anello tenuta "V" Ø20	6	◆	◆	◆	◆	◆	◆	◆	◆	◆	◆	◆	◆	◆	◆	◆	◆	◆
*6	1201.04	Pressore Ø20	3																	
*7	0300.09	Diffusore Ø20	6																	
*8	0300.08	Diffusore Interm. Ø20	3																	
*9	1601.17	Tappo G3/8	1	◆	◆	◆	◆	◆	◆			◆	◆	◆						
	1601.20	Tappo G1/2	1							◆					◆	◆	◆	◆	◆	◆
*10	0603.06	Guarnizione rame	1	◆	◆	◆	◆	◆	◆			◆	◆	◆						
	0603.07	Guarnizione rame	1							◆					◆	◆	◆	◆	◆	◆
*11	1602.04	Testata	1	◆	◆	◆	◆	◆	◆			◆	◆	◆						
	1602.05	Testata	1							◆					◆	◆	◆	◆	◆	◆
*12	0601.19	"O" Ring Ø2.62x17.13	6																	
*13	3604.70	Valvola premontata	6																	
*14	0601.65	"O" Ring Ø2.62x20.29	6	◆	◆	◆	◆	◆	◆	◆	◆	◆	◆	◆	◆	◆	◆	◆	◆	◆
*15	1601.30	Tappo valvola	6																	
16	1801.04	Vite M8x65	8																	
17	1400.01	Rosetta Ø8.5	→	8	8	8	8	8	8	16	16	8	8	16	16	8	8	16	16	8
	1400.02	Rosetta Ø6.4	8	◆	◆	◆	◆	◆	◆			◆	◆			◆	◆			◆
*18	0603.06	Guarnizione rame	1																	
*19	1601.17	Tappo G3/8	2																	
20	1503.18	Sede valvola	6																	
21	1202.00	Piattello valvola	6	◆	◆	◆	◆	◆	◆	◆	◆	◆	◆	◆	◆	◆	◆	◆	◆	◆
22	0900.30	Molla valvola	6																	
23	0604.05	Gabbia valvola	6																	
24	1802.07	Vite M6x18	8	◆	◆	◆	◆	◆	◆			◆	◆			◆	◆			◆
	1801.19	Vite M8x18	8							◆	◆			◆	◆			◆	◆	
25	0500.47	Flangia	→	2	1	2	1	2	1			2	1			1	2			1
	0500.60	Flangia								1	1			1	1			1	1	
26	0500.48	Flangia chiusa	1		◆		◆		◆			◆			◆					◆
	0500.61	Flangia chiusa	1						◆	◆			◆	◆				◆	◆	
27	0601.63	"O" Ring Ø1.78x60,05	2	◆	◆	◆	◆	◆	◆	◆	◆	◆	◆	◆	◆	◆	◆	◆	◆	◆
28	0001.02	Anello radiale	→	2	1	2	1	2	1	1	1	2	1	1	1	1	2	1	1	1
29	0200.06	Cuscinetto a rulli	2	◆	◆	◆	◆	◆	◆	◆	◆	◆	◆	◆	◆	◆	◆	◆	◆	◆
30	0004.01	Albero doppia P.d.F.	1			◆														
	0004.04	" " "	1								◆									
	0004.07	" " "	1	◆													◆			
	0004.08	" " "	1					◆												
31	0004.06	Albero semplice P.d.F.	1										◆							
	0004.10	" " "	1						◆											
	0004.11	" " "	1				◆													◆
	0004.12	" " "	1		◆															
	0004.50	" " "	1															◆		
	0004.56	" " "	1						◆	◆										
	0004.57	" " "	1											◆	◆					
	0004.79	" " "	1													◆				
0004.82	" " "	1																	◆	
32	0206.00	Chiavetta	1																	
33	1600.02	Tappo livello olio	1	◆	◆	◆	◆	◆	◆	◆	◆	◆	◆	◆	◆	◆	◆	◆	◆	◆

PARTS LIST

MT pumps 2008 series

Pos.	Codice	Descrizione	Q.tà per Pompa	H306	H306RL	H406	H406RL	HC456	HC456RL	HC456IRL	HC456SIRL	HC506	HC506RL	HC506IRL	HC506SIRL	HC536RL	HC556	HC556IRL	HC576IRL	HC586RL	
34	0301.02	Distanziale	1																		
*35	1800.01	Vite pistone	3																		
*36	1400.12	Rosetta rame	3																		
*37	0601.03	"O" Ring Ø1.78x7.66	3																		
*38	0009.04	Anello antiestrusione	3																		
*39	1200.10	Pistone Ø20	3																		
*40	1400.15	Rosetta rame	3																		
41	0003.01	Asta pistone	3																		
42	0100.01	Biella	3	◆	◆	◆	◆	◆	◆	◆	◆	◆	◆	◆	◆	◆	◆	◆	◆	◆	◆
43	1502.01	Spinotto	3																		
44	1801.05	Vite M6x25	6																		
45	1500.01	Anello Ø10	6																		
46	1401.02	Rosetta elastica Ø6	6																		
47	0601.88	Guarnizione coperchio	1																		
48	0203.53	Coperchio	1																		
49	0601.14	"O" Ring Ø1.78x14	1																		
50	0700.05	Spia livello olio G3/4	1																		
51	1801.12	Vite M6x16	4																		
52	0205.03	Cappello potez.	1	◆		◆		◆				◆					◆				
53	1804.03	Vite Cappello	2	◆		◆		◆				◆					◆				

in kit only

*		Part available in kit also
---	--	-------------------------------

SPARE PARTS KIT

Included Positions	Part Number & Description	Q.ty by Pump	H306	H306RL	H406	H406RL	HC456	HC456RL	HC456IRL	HC456SIRL	HC506	HC506RL	HC506IRL	HC506SIRL	HC536RL	HC556	HC556IRL	HC576IRL	HC586RL	
4- 5- 7	2608.01 Guarnizioni pistone Ø20	1																		
3- 4- 5- 6- 7- 8	2608.00 Pacco completo Guarnizioni pistone Ø20	3																		
35- 36- 37- 38 39- 40	2608.02 Pistone Ø20	3	◆	◆	◆	◆	◆	◆	◆	◆	◆	◆	◆	◆	◆	◆	◆	◆	◆	◆
12- 13- 14	2600.08 Valvola completa	6																		
3	2608.03 Anelli tenuta olio Asta	1																		
4- 5- 6- 7- 8- 9 10- 11- 12- 13	2608.13 Testata Completa	1	◆	◆	◆	◆	◆	◆	◆		◆	◆	◆							
14- 15- 18- 19	2608.14 Testata Completa	1								◆				◆	◆	◆	◆	◆	◆	◆