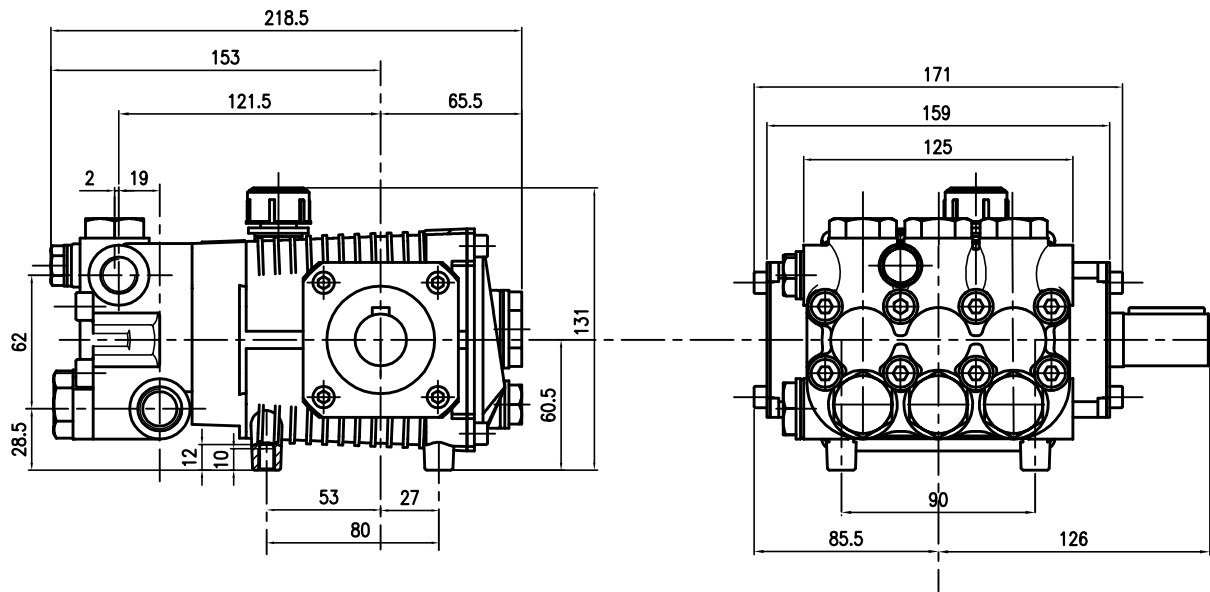
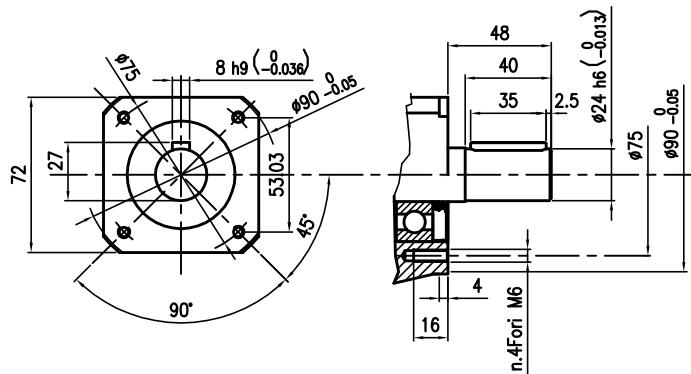


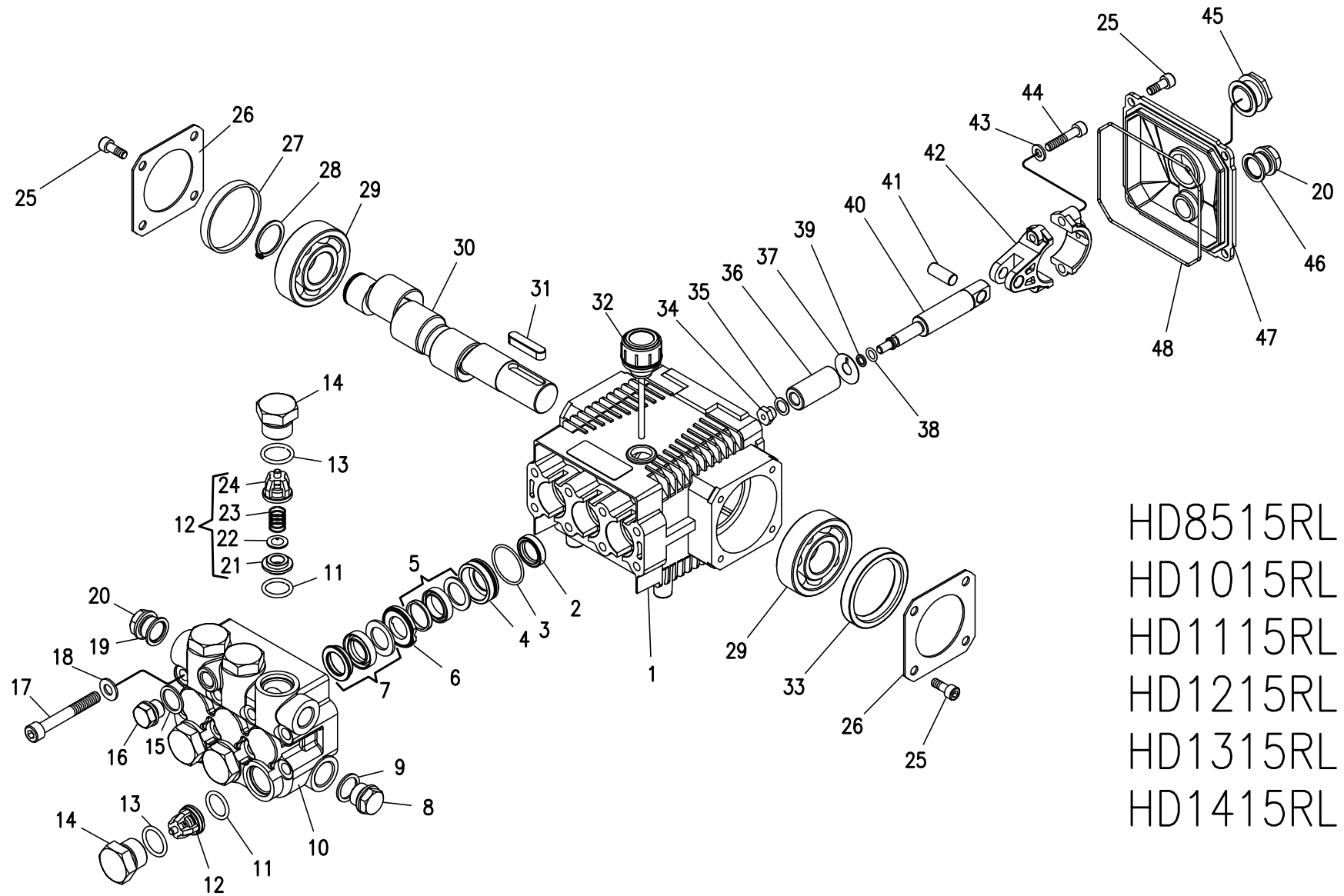
| Pump Pompe Pumpen Pompa | Pressure Pression Druck Pressione | | Volume Débit Leistung Portata | | RPM tours/min u.p.m. giri/min | Required HP Puissance HP Leistung HP Potenza HP | Inlet port Entrée Eingang Aspirazione | Outlet Sortie Ausgang Mandata |
|----------------------------------|--|------|--|-----|--|--|--|--|
| | bar | PSI | l/min | GPM | | | | |
| HD8515 | 150 | 2200 | 8.5 | 2.2 | 1450 | 3.2 | G 1/2 | G 3/8 |
| HD1015 | 150 | 2200 | 10.0 | 2.6 | 1450 | 3.7 | G 1/2 | G 3/8 |
| HD1115 | 150 | 2200 | 11.0 | 2.9 | 1450 | 4.3 | G 1/2 | G 3/8 |
| HD1215 | 150 | 2200 | 12.0 | 3.1 | 1450 | 4.6 | G 1/2 | G 3/8 |
| HD1315 | 150 | 2200 | 13.0 | 3.4 | 1450 | 5.0 | G 1/2 | G 3/8 |
| HD1415 | 150 | 2200 | 14.0 | 3.7 | 1450 | 5.4 | G 1/2 | G 3/8 |

Overall dimensions



HD8515-HD1015-HD1115-HD1215-HD1315-HD1415





HD8515RL
HD1015RL
HD1115RL
HD1215RL
HD1315RL
HD1415RL

HAWK HD 150 BAR

SPARE PARTS KIT



| Posizioni Item | Part Number & Description | Codice e Descrizione | Q.tà per ogni Pompa Q.ty for each Pump | HD8515RL | HD1015RL | HD1115RL | HD1215RL | HD1315RL | HD1415RL |
|---|--|---|---|----------|----------|----------|----------|----------|----------|
| 3x (3- 5- 7) | 2600.44 Plunger Seals 18 mm | 2600.44 Guarnizioni pistone Ø 18 | 1 | | | | | | |
| 3- 4- 5- 6- 7 | 2600.43 Complete seal Packing 18 mm | 2600.43 Pacco completo Guarnizioni pistone Ø 18 | 3 | | | | | | |
| 34- 36- 37- 38 39 | 2614.05 Plunger 18 mm | 2614.05 Pistone Ø 18 | 3 | | | | | | |
| 6x (11- 12- 13) | 2600.28 Complete Valve | 2600.28 Valvola completa | 1 | ■ | ■ | ■ | ■ | ■ | ■ |
| 3x (2) | 2608.26 Plunger oil Seals | 2608.26 Anelli tenuta olio Asta | 1 | | | | | | |
| 3- 4- 5- 6- 7- 8- 9 10- 11- 12- 13 14- 15- 16- 19 20 | 2612.39 Complete Manifold | 2612.39 Testata completa | 1 | | | | | | |
| 38- 39- 40- 41 42- 43- 44 | 3100.20 Conn.rod-plun.rod assy (HD) | 3100.20 Premontato biella-asta HD | 3 | | | | | | |

PARTS LIST

| Pos. Item | Codice Part Number | Description | Descrizione | Q.tà per ogni Pompa Q.ty for each Pump | HD8515RL | HD1015RL | HD1115RL | HD1215RL | HD1315RL | HD1415RL |
|--------------|--------------------------|----------------------|-----------------------|---|----------|----------|----------|----------|----------|----------|
| 1 | 0202.92 | Crankcase | Carter | 1 | | | | | | |
| *2 | 0001.05 | Plunger oil seal | Anello radiale | 3 | | | | | | |
| *3 | 0601.81 | "O" Ring Ø1.78x28,30 | "O" Ring Ø1.78x28,30 | 3 | | | | | | |
| *4 | 1201.41 | Pressure ring 18mm | Pressore Ø18 | 3 | | | | | | |
| *5 | 0002.51 | "U" seal, dia.18mm | Anello tenuta "U" Ø18 | 3 | | | | | | |
| *6 | 0300.63 | Intermed. ring 18mm | Diffusore Intern. Ø18 | 3 | | | | | | |
| *7 | 0002.50 | "U" seal, dia.18mm | Anello tenuta "U" Ø18 | 3 | | | | | | |
| *8 | 1601.20 | Brass plug G1/2 | Tappo G1/2 | 1 | | | | | | |
| *9 | 0603.07 | Copper washer 1/2 | Guarnizione rame G1/2 | 1 | | | | | | |
| *10 | 1602.28 | Manifold housing | Testata | 1 | | | | | | |
| *11 | 0601.55 | "O" Ring Ø2.62x15.54 | "O" Ring Ø2.62x15.54 | 6 | | | | | | |
| *12 | 3604.73 | Valve assembly | Valvola premontata | 6 | ■ | ■ | ■ | ■ | ■ | ■ |
| *13 | 0601.22 | "O" Ring Ø1.78x18.77 | "O" Ring Ø1.78x18.77 | 6 | | | | | | |
| *14 | 1601.47 | Valve plug | Tappo valvola | 6 | | | | | | |
| *15 | 0603.08 | Copper washer 1/4 | Guarnizione rame G1/4 | 1 | | | | | | |
| *16 | 1601.21 | Brass plug G1/4 | Tappo G1/4 | 1 | | | | | | |
| 17 | 1801.18 | Manifold stud bolt | Vite M8x60 | 8 | | | | | | |
| 18 | 1400.01 | Washer | Rosetta Ø8.5 | 8 | | | | | | |
| *19 | 0603.06 | Copper washer 3/8 | Guarnizione rame G3/8 | 1 | | | | | | |
| *20 | 1601.17 | Brass plug G3/8 | Tappo G3/8 | 2 | | | | | | |
| 21 | 1503.28 | Valve seat | Sede valvola | 6 | | | | | | |
| 22 | 1202.00 | Valve plate | Piattello valvola | 6 | | | | | | |
| 23 | 0900.30 | Valve spring | Molla valvola | 6 | | | | | | |
| 24 | 0604.10 | Valve cage | Gabbia valvola | 6 | | | | | | |

HAWK HD 150 BAR

PARTS LIST



| Pos. Item | Codice Part Number | Description | Descrizione | Q.tà per ogni Pompa Q.ty for each Pump | HD8515RL | HD1015RL | HD1115RL | HD1215RL | HD1315RL | HD1415RL |
|-----------|--------------------|-----------------------|------------------------|---|----------|----------|----------|----------|----------|----------|
| 25 | 1801.12 | Screw | Vite M6x16 | 12 | | | | | | |
| 26 | 0203.18 | Bearing cover | Coperchio cuscinetto | 2 | | | | | | |
| 27 | 0205.02 | Bearing seal | Cappellotto cuscinetto | 1 | ■ | ■ | ■ | ■ | ■ | ■ |
| 28 | 1500.03 | Snap ring | Anello Ø25 | 1 | | | | | | |
| 29 | 0213.00 | Ball bearing | Cuscinetto a sfere | 2 | | | | | | |
| 30 | 0006.05 | Crankshaft | Albero eccentrico | 1 | | | | | | ■ |
| | 0006.06 | Crankshaft | Albero eccentrico | 1 | ■ | | | | | |
| | 0006.08 | Crankshaft | Albero eccentrico | 1 | | ■ | | | | |
| | 0006.10 | Crankshaft | Albero eccentrico | 1 | | | ■ | | | |
| | 0006.11 | Crankshaft | Albero eccentrico | 1 | | | | ■ | | |
| | 0006.12 | Crankshaft | Albero eccentrico | 1 | | | | | ■ | |
| 31 | 0206.04 | Crankshaft key | Chiavetta | 1 | | | | | | |
| 32 | 1600.14 | Oil dip stick | Tappo livello olio | 1 | | | | | | |
| 33 | 0001.10 | Crankshaft seal | Anello radiale | 1 | | | | | | |
| *34 | 0302.11 | Plunger nut | Dado pistone | 3 | | | | | | |
| *35 | 1400.06 | Copper spacer | Rosetta Ø 9,2/13,5x0,5 | 3 | | | | | | |
| *36 | 1200.22 | Plunger 18 mm | Pistone Ø18 | 3 | | | | | | |
| *37 | 1400.27 | Copper spacer | Rosetta rame | 3 | | | | | | |
| *38 | 0601.30 | "O" Ring Ø1.78x5.28 | "O" Ring Ø1.78x5.28 | 3 | | | | | | |
| *39 | 0009.13 | Teflon ring | Anello antiestrusione | 3 | | | | | | |
| *40 | 0003.20 | Plunger rod | Asta pistone | 3 | ■ | ■ | ■ | ■ | ■ | ■ |
| *41 | 1502.04 | Connecting rod pin | Spinotto | 3 | | | | | | |
| *42 | 0100.08 | Connecting rod | Biella completa | 3 | | | | | | |
| *43 | 1401.02 | Spring washer | Rosetta elastica Ø6 | 6 | | | | | | |
| *44 | 1801.32 | Connecting rod screw | Vite M6x30 | 6 | | | | | | |
| 45 | 0700.05 | Sight glass | Spia livello olio G3/4 | 1 | | | | | | |
| 46 | 0603.02 | Gasket | Guarnizione G3/8 | 1 | | | | | | |
| 47 | 0203.52 | Crankcase cover | Coperchio | 1 | | | | | | |
| 48 | 0601.04 | "O" Ring Ø2.62x107.62 | "O" Ring Ø2.62x107.62 | 1 | | | | | | |

| | |
|--|--|
| | |
|--|--|

**Part available
in kit only**

**Particolare disponibile
solo in kit**

| | |
|---|--|
| * | |
|---|--|

**Part available
in kit also**

**Particolare disponibile
anche in kit**