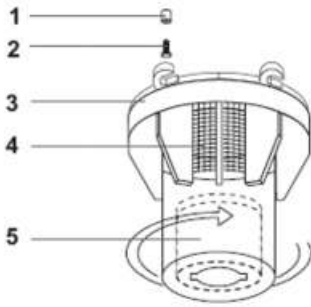


## Antifoam Kit

Assembly Part No: 3668



| POS | PART NUMBER | DESCRIPTION              | # |
|-----|-------------|--------------------------|---|
| 1   | VP03706     | PLASTIC SLEEVE D.8       | 4 |
| 2   | VP03724     | SCREW PAT TMT PHL 5X25   | 4 |
| 3   | VP02823     | HIGHER ANTIFOAM BODY 99  | 1 |
| 4   | VP03117     | NET FILTER 0,3 D.90 H=58 | 1 |
| 5   | VP02676     | HIGHER FLOAT 99          | 1 |

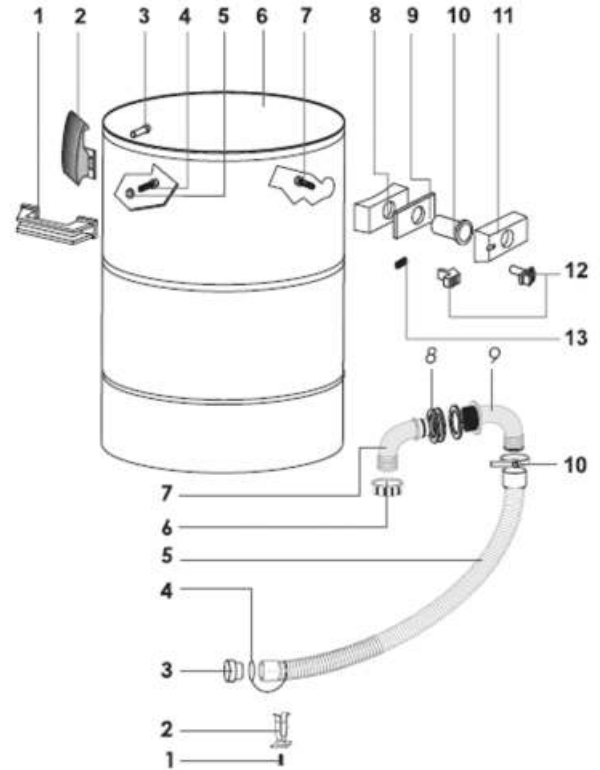
## Tank

Assembly Part No: 948

| POS | PART NUMBER | DESCRIPTION                     | # |
|-----|-------------|---------------------------------|---|
| 1   | VP02993     | HANDLE "V.F." NEW               | 2 |
| 2   | VP1847/S    | #N/A                            | 2 |
| 3   | VP01302     | RIVET 5X19                      | 4 |
| 4   | VP03629     | SCREW PAT TMT PHL 5X25 ZN BLACK | 4 |
| 5   | VP02974     | PLAST WASHER                    | 4 |
| 6   | VP00946     | TANK GARAGE/CALIFORNIA AISI 304 | 1 |
| 7   | VP01026     | SCREW PAT TMT PHL 5X30          | 4 |
| 8   | VP02586     | GASKET R 205                    | 1 |
| 9   | VP02846     | GASKET D.38                     | 1 |
| 10  | VP02593     | DEFLECTOR 99                    | 1 |
| 11  | VP02583     | INLET 99                        | 1 |
| 12  | VP02594     | PUSH BOTTON 99                  | 1 |
| 13  | VP02608     | SPIRAL SPRING 99                | 1 |

## Drain Hose

| POS | PART NUMBER | DESCRIPTION                           | # |
|-----|-------------|---------------------------------------|---|
| 1   | VP01005     | SCREW PAT TMT PHL 5X14                | 1 |
| 2   | VP02788     | LIRA CLAMP D.34                       | 1 |
| 3   | VP02764     | PVC CAP D.40 X 35                     | 1 |
| 4   | VP02812     | TIE ROD CAP                           | 1 |
| 5   | VP02765     | DRAIN TUBE D.34 L=600                 | 1 |
| 6   | VP02889     | PULLEY 1-1/4"                         | 1 |
| 7   | VP02888     | RUBBER HOLDER UNION                   | 1 |
| 8   | VP00256     | GASKET                                | 3 |
| 9   | VP02890     | RUBBER HOLDER UNION CURVED 90° 1-1/4" | 1 |
| 10  | VP03308     | CLAMP 265X9                           | 1 |



## Tank

Assembly Part No: 1442

| POS | PART NUMBER | DESCRIPTION                      | # |
|-----|-------------|----------------------------------|---|
| 1   | VP01439     | CLEAR WATER TANK                 | 4 |
| 2   | VP02689     | COMPLETE FILTER                  | 4 |
| 3   | VP00138/L   | FAIRLEAD "L"                     | 1 |
| 4   | VP01526     | HYDROLITIC TUBE 8,2 X 5,5 L=1100 | 1 |
| 5   | VP00257     | CUP WITH FILTER                  | 1 |
| 6   | VP00954     | STEEL WASHER D.8                 | 1 |
| 7   | VP02660     | STRICK CLIP 7.9                  | 1 |
| 8   | VP03664/OTT | BRASS QUICK COUPLING P.G5,2      | 1 |
| 9   | VP00835     | FILLING PIPE 1-1/4"              | 1 |
| 10  | VP00256     | GASKET                           | 1 |
| 11  | VP00834     | RING 1-1/4"                      | 1 |
| 12  | VP00255     | CUP GASKET                       | 1 |
| 13  | VP00833     | CAP 1-1/4"                       | 1 |

## Trolley

Assembly Part No: 900

| POS | PART NUMBER | DESCRIPTION                     | # |
|-----|-------------|---------------------------------|---|
| 1   | VP00918 V   | MANIGLIONE MARKET VERN.         | 1 |
| 2   | VP00917 V   | TUBO RINFORZO VERN.             | 2 |
| 3   | VP00913     | "T" TUBE                        | 2 |
| 4   | VP01301NE   | RIVET 5X11 BLACK                | 2 |
| 5   | VP00902     | SMALL BLOCK                     | 1 |
| 6   | VP00914     | HAND-WHEEL M 8X60               | 1 |
| 7   | VP01402     | SPIRAL SPRING FOR SMALL BLOCK   | 1 |
| 8   | VP01403     | LOCKING THREADED PLATE          | 1 |
| 9   | VP01301NE   | RIVET 5X11 BLACK                | 2 |
| 10  | VP00901     | BODY MARKET TROLLEY             | 1 |
| 11  | VP00915     | SCREW "TE" M 12X140 UNI 5737 8G | 2 |
| 12  | VP01028     | WASHER 12X24                    | 2 |
| 13  | VP00904     | REAR WHEEL D.200                | 2 |
| 14  | VP01401     | BUSH FOR REAR WHEEL             | 2 |
| 15  | VP02052     | SELFLOCKING NUT 12 MA           | 2 |
| 16  | VP01302NE   | RIVET 5X19 BLACK                | 2 |
| 17  | VP00479     | FRONT WHEEL                     | 2 |
| 18  | VP01012     | WASHER 10                       | 6 |
| 19  | VP00478     | NUT 10 MA                       | 2 |
| 20  | VP06250     | PLAST TROLLEY HANDLE            | 2 |