

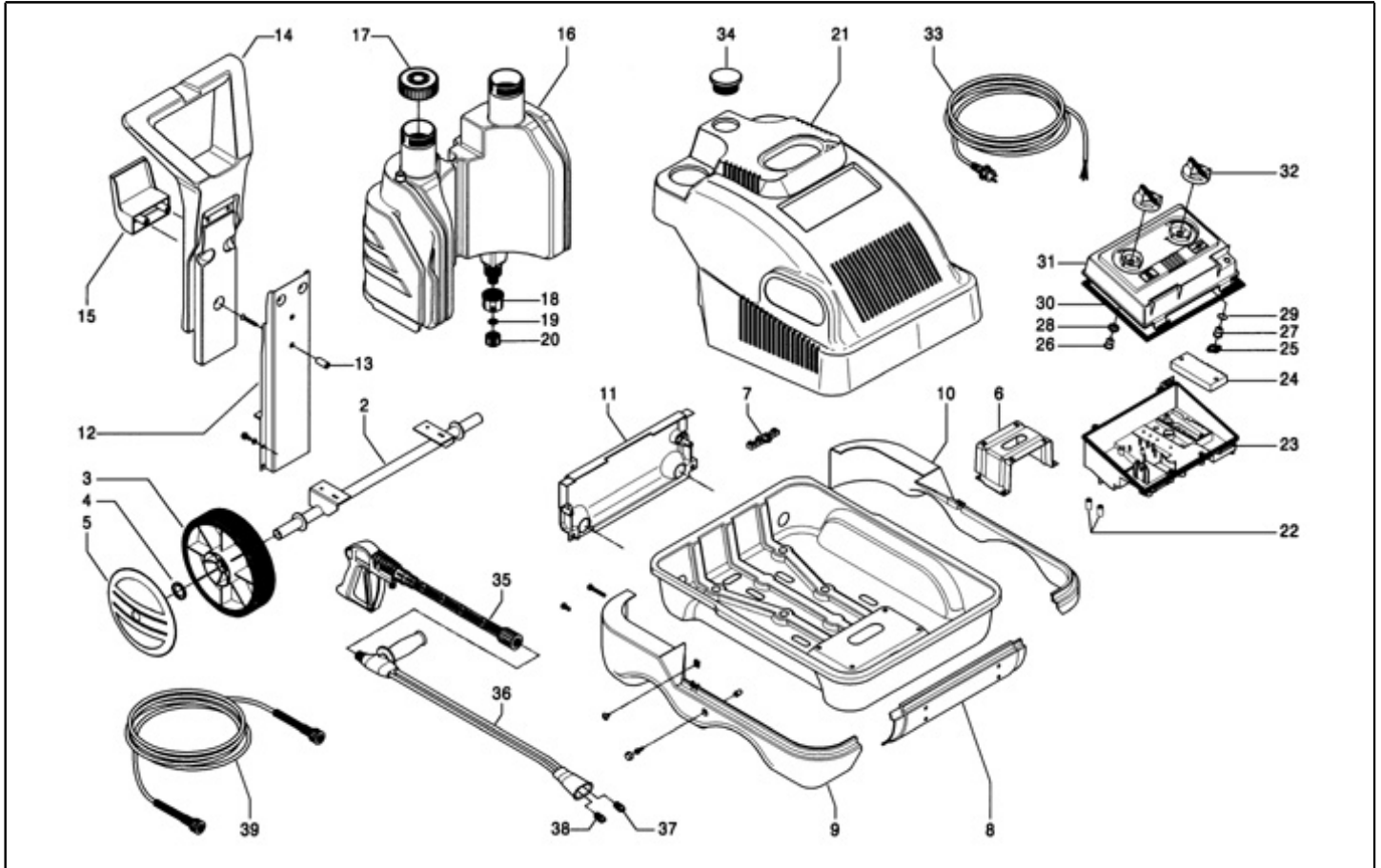


Spare Parts List

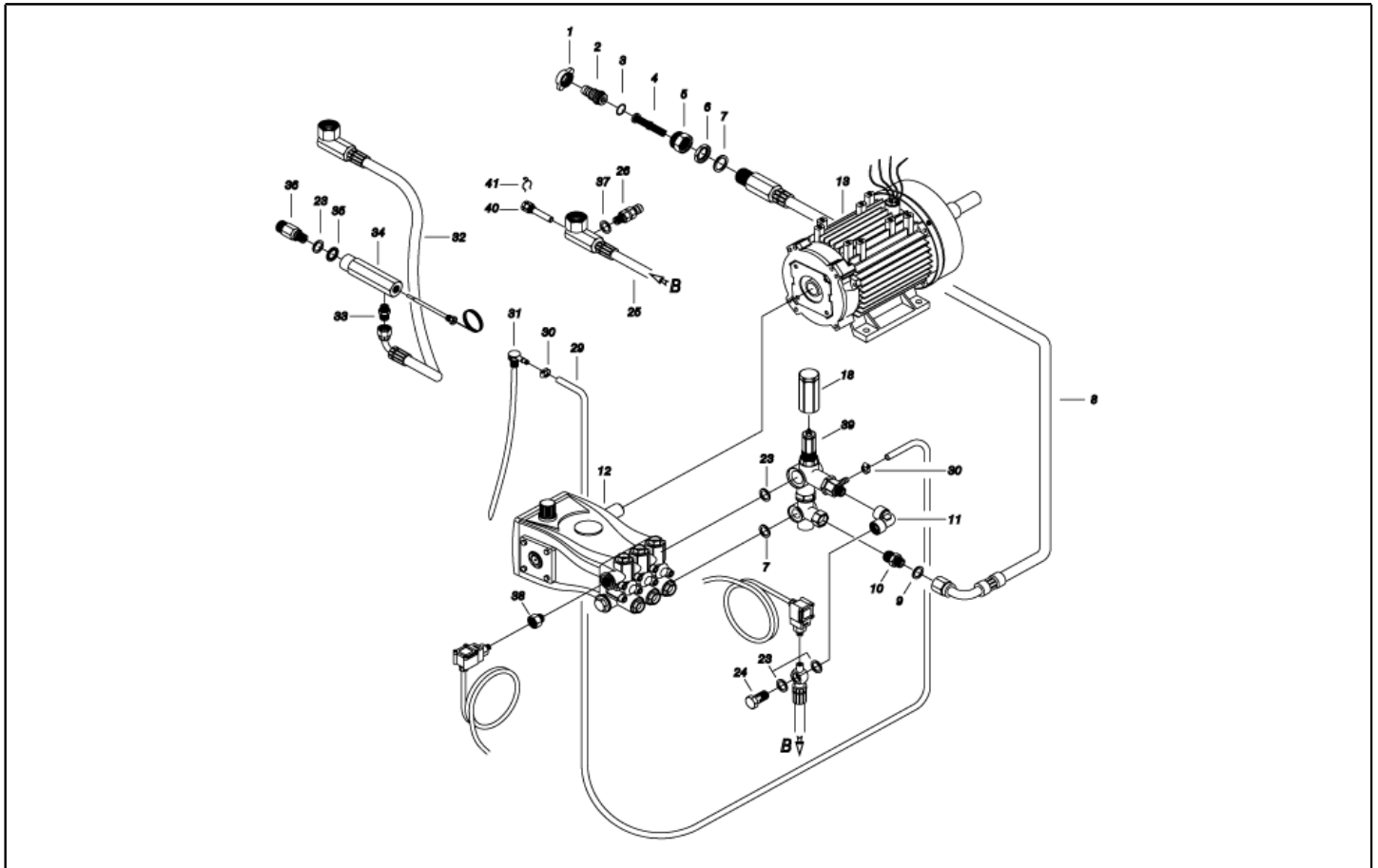
ipc div.PROFESSIONAL

Ref: IDAC40635

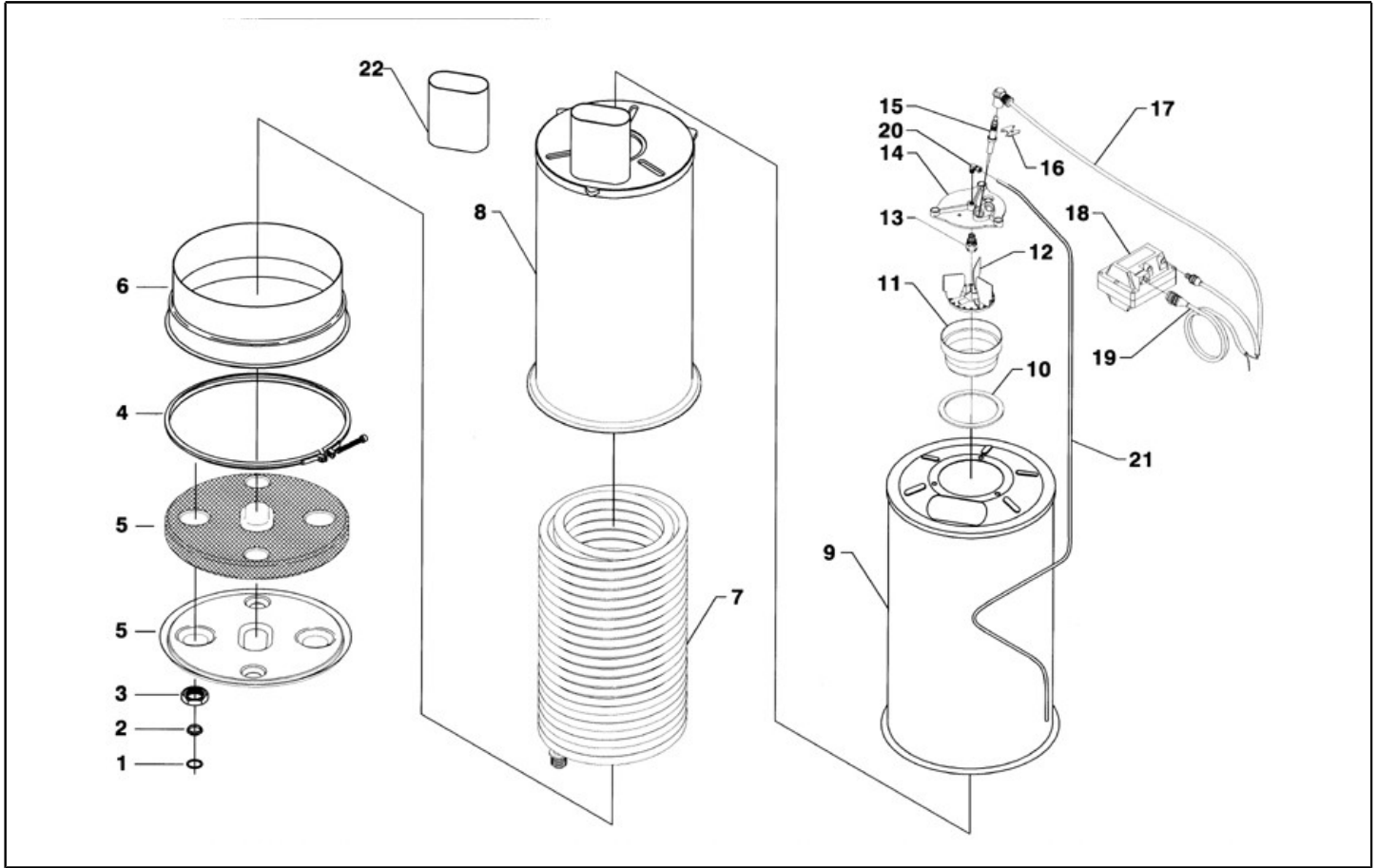
Model: H.P. CLEANER UNIV-H D1110P M230/50 PNZ



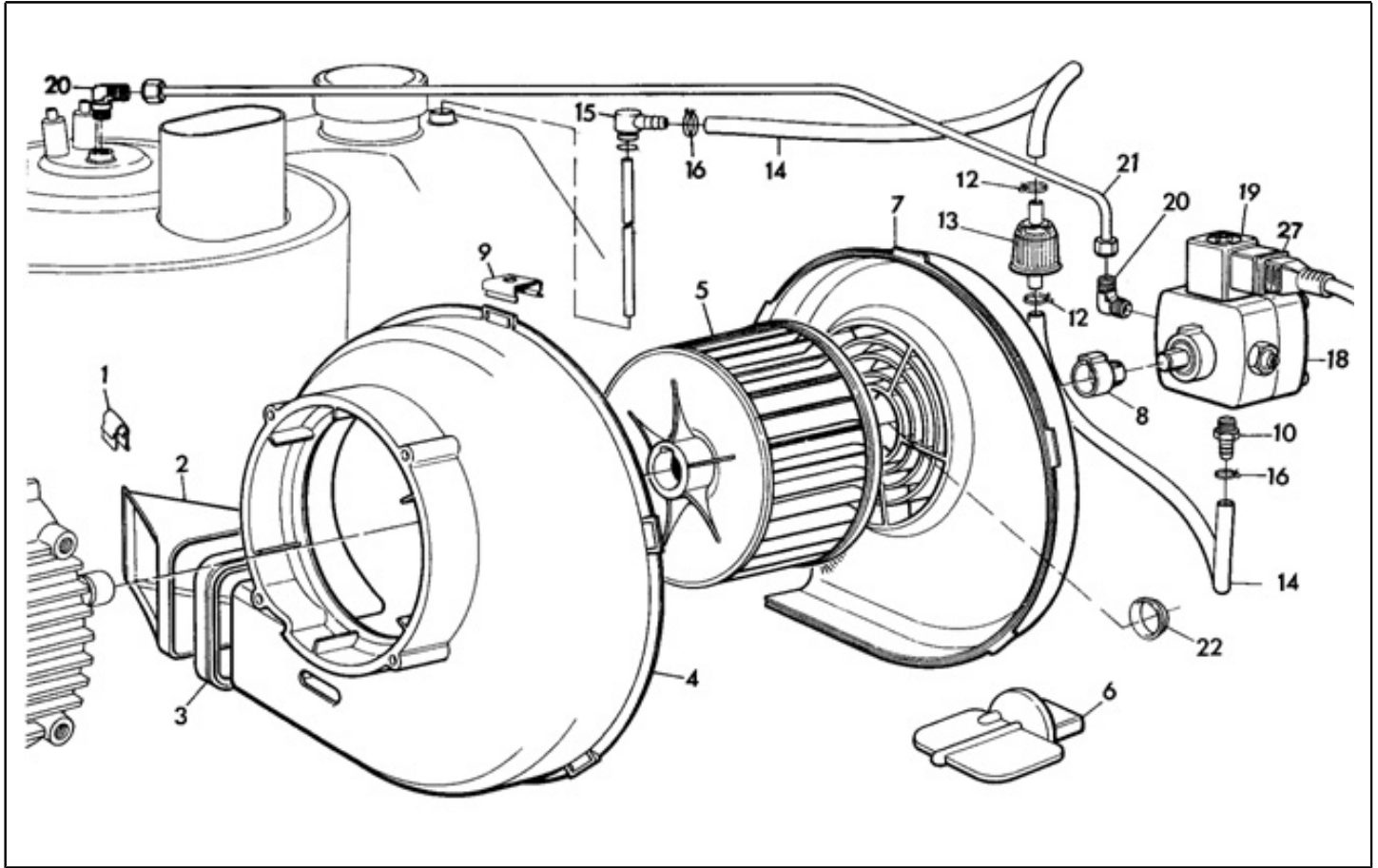
Ref. K	Part N.	Customer Part N.	Description	Quantity	Validity		Price
					From	To	
0001	LAFN19944		CHASSIS KSM	1,00			--
0002	LAFN39505		TROLLEY AXLE SLV J.	2,00			--
0003	RTRT87839		WHEEL D.250-D.25X 53 RT-IPC	4,00			--
0004	VTRS09813		WASHER D.25	4,00			--
0005	MPVR25910		RED HUB CAP D. 250 RT/PRT	4,00			--
0006	LAFN19956		MOTOR PLATE KSM	1,00			--
0007	MEVR20906		CABLE CLAMP KSM	1,00			--
0008	MPVR29636		BAND SLR ANT	1,00			--
0009	MPVR29634		BAND SLR DX	1,00			--
0010	MPVR29633		BAND SLR SX	1,00			--
0011	MPVR29635		BAND SLR PST	1,00			--
0012	LAFN19954		SUPPORT KSM	1,00			--
0013	LAFN22115		SPACER 14X27 D.8 KSM	1,00			--
0014	MPVR27897		HANDLE AGN "ELK"	1,00			--
0015	LAFN20105		HOSE SUPPORT KSM	1,00			--
0016	MPVR20135		TANK KOSMIC J.	1,00			--
0017	MPVR20418		TANK CAP KSM	2,00			--
0018	MPVR20187		RING NUT M 39 X 3	2,00			--
0019	GUGO11489		GASKET D.22X1,5	2,00			--
0020	PVVR11806		DISCHARGE CAP FLL	2,00			--
0021	MPVR46174		RED COVER SLR PP C/F.LT	1,00			--
0022	MPVR43239		SPACER D. 7-22 L=15 SLR PVC	4,00			--
0023	LAFN20138		CONTROL BOX KSM ABS BK.	1,00			--
0024	MPVR20143		CABLE CLAMP COV KSM	1,00			--
0025	MPVR41903		THICKNESS TERM.IM.PA66	1,00			--
0026	MPVR23482		SWITCH TANG TEC. TUV	1,00			--
0027	MPVR23484		TAIL PIECE THERM.KSM TUV	1,00			--
0028	GUGO23079		V-SEAL RING VA0014 13.5- 15.5	1,00			--
0029	GUGO01035		O-RING D. 13.95 X 2.62 NBR 70SH	1,00			--
0030	GUGO27129		JOINT 10X3	1,05			--
0031	LAFN20139		BOX COVER KSM M.	1,00			--
0032	MPVR46511		GREY KNOB KSM C/F.FIS.	2,00			--
0034	MPVR43241		CAP SLR PVC	1,00			--
0035	IPPR40010		GRIP G 5100+P.330 +M22 SW.M V	1,00			--
0036	LCPR12983		DOUBLE EXTENS. PD 70	1,00			--
0037	UGLN05174		NOZZLE 1/4 5040 OT	1,00			--
0038	UGLN49991		NOZZLE LECH 1/4 2504	1,00			--
0039	TBAP25324		H.P. HOSE R1 MT 10 5/16" C/2 IRV ZC	1,00			--
0040	MEVR27264		FUSE-HOLDER 031-1081	1,00			--
9999	KTRI16996		KIT P 33- 1	1,00	07/01/2003		--



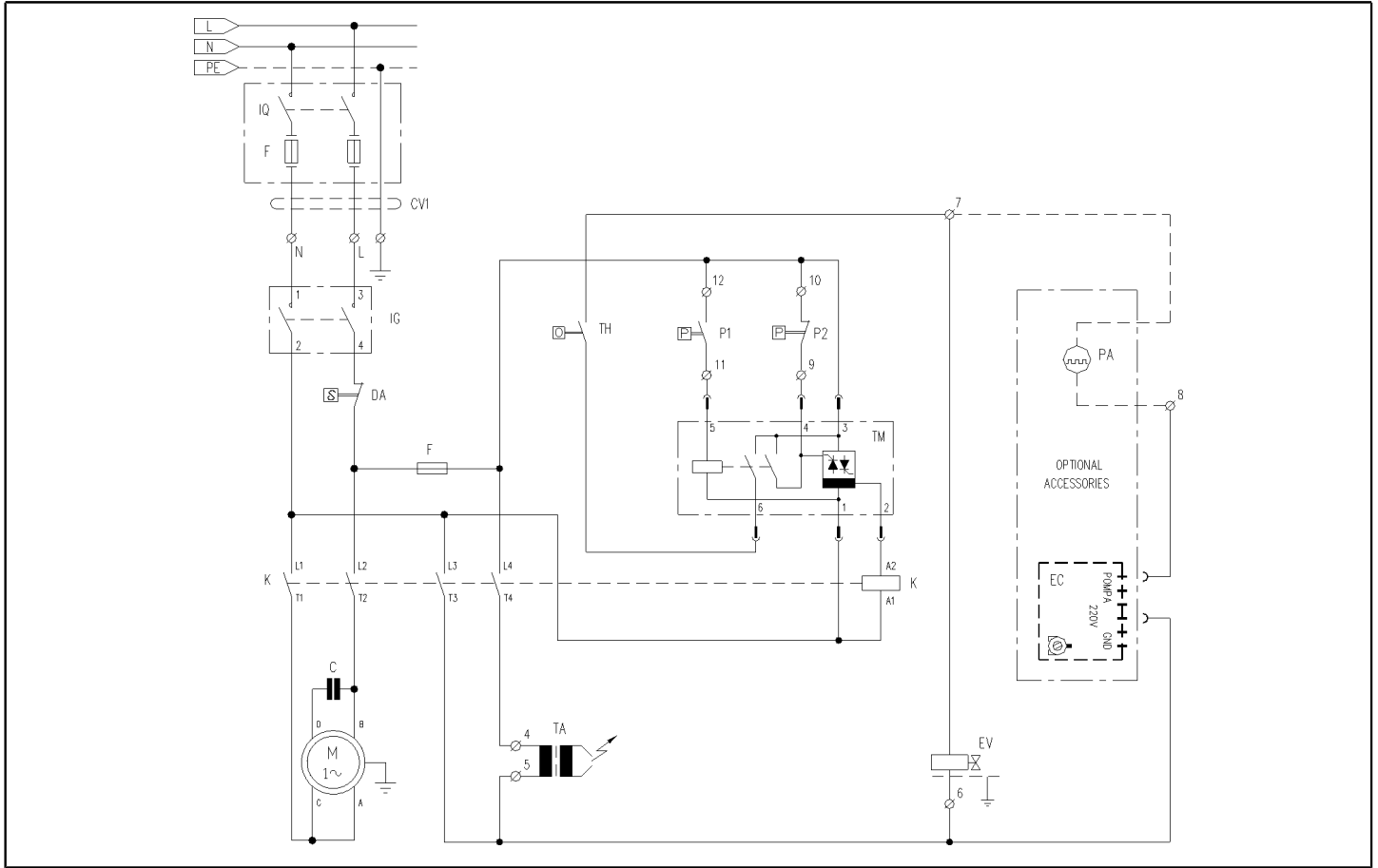
Ref. K	Part N.	Customer Part N.	Description	Quantity	Validity		Price
					From	To	
0001	RCDS09316		CONNECTION G. 3/4	1,00			--
0002	RCDS08965		HOSE FITTING OTT.	1,00			--
0003	GUGO01054		O-RING D. 15.08 X 2.62 NBR 70SH	1,00			--
0004	FTAC30214		FILTER D.15X67	1,00			--
0005	RCDS28900		SLEEVE 3/4-1/2 M/F MTH	1,00			--
0006	RCDS49875		RING NUT 1/2"X 6 CH.27 OT.	1,00			--
0007	VTRS00549		WASHER D.21,5X27X1,5 (1/2) RM	1,00			--
0008	TBBP30410		L.P. HOSE L=940 1/2 0° -90°F 2.VRS	1,00			--
0009	GUGO36764		GASKET D. 11- 18.5X 2 80SH	1,00			--
0010	RCDS19871		NIPPLE 1/2 - 1/2 D.10	1,00			--
0011	RCVR41987		ELBOW 3/8" F A.P. OT.MTM	1,00	24/02/2012		--
0012	PPAP40071		PUMP RCS 9.17 DX B	1,00			--
0013	MOMO24015		1PH MOTOR KSM HP2.5 230-50 2P H80IP	1,00			--
0018	MPVR40162		KNOB AR XJS	1,00	24/02/2012		--
0018	MPVR40163		CAP AR XJS	1,00	15/05/2013		--
0023	VTRS00548		WASHER D.17,5X23X1,5 (3/8)RM	1,00			--
0024	RCDS01371		SCREW G 3/8 A.P.	1,00			--
0025	TBAP40091		HOSE-FITTING 3/ 8 R2 L=560 3/8OC.+1/8	1,00			--
0026	VVSC39719		VALVE MG 2000 G1/4M 150B MIGNON	1,00			--
0029	TBBP93804		L.P. HOSE D. 6- 9	1,00	01/05/2012		--
0030	FSVR00427		CLAMP D. 12 CLIC 66-110	2,00			--
0031	RCDS20136		SUCTION L= 355 C.	1,00			--
0032	TBAP20184		HOSE-FITTING 3/ 8 R2 L=320 3/8F90-PM26	1,00			--
0033	RCDS20186		NIPPLE 3/8 - 14X1,5 SV	1,00			--
0034	RCDS19322		BLOC BODY 3/8F-M14	1,00			--
0035	VTRS22537		WASHER D. 16	1,00			--
0036	RCDS13012		NIPPLE M22-3/8 D. 7.5	1,00			--
0037	VTRS40960		WASHER D.13.5X19 X4 AL.	1,00			--
0038	RCVR02607		REDUCTION 3/8-1/4 M/F	1,00			--
0039	VVAZ40016		VALVE AR M.MATIC 4/B-RC-H2.0 FT	1,00	24/02/2012		--
0039	VVAZ40017		VALVE MV 625 AR-R AF S/I.RG.	1,00		23/02/2012	--



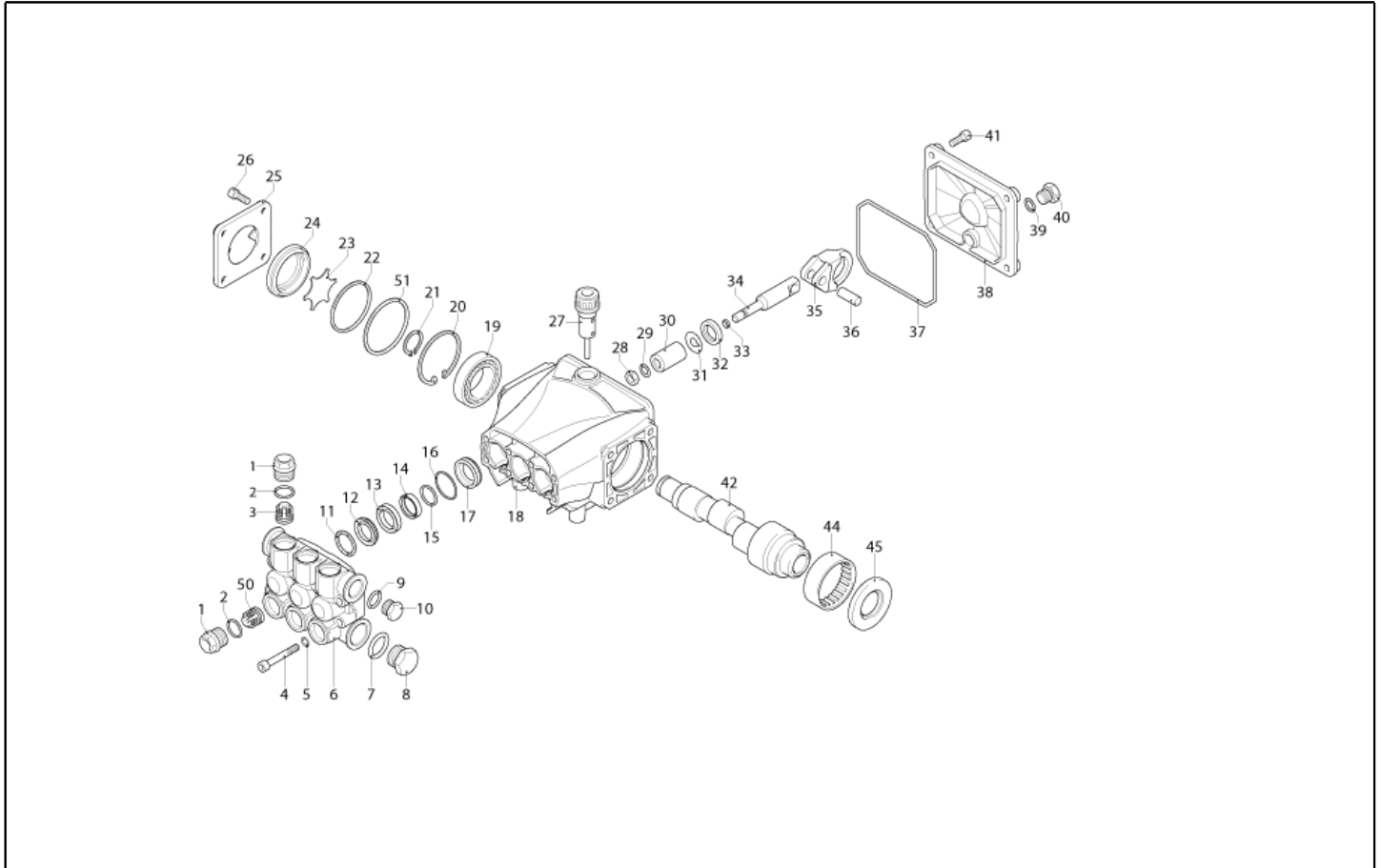
Ref. K	Part N.	Customer Part N.	Description	Quantity	Validity		Price
					From	To	
0001	GUGO21222		O-RING D. 15.54 X 2.62 VIT 80SH	2,00			--
0002	GUVR21021		ANTI-EXTR.RING D. 21 X17 TEF.	2,00			--
0003	RCDS21120		RING NUT M 26 X 1,5	2,00			--
0004	LAFN20108		RING D.298 KSM	1,00			--
0005	ITTE48373		BOTTOM KSM C.TE	1,00	24/04/2003		--
0005	LAFN20109		BOILER BOTTOM KSM D.280	1,00		23/04/2003	--
0005	LAFN48448		BOILER BOTTOM KSM 2V. ZN	1,00	24/04/2003		--
0006	GUVR21756		FIB.GLASS CORD D. 12 GR/M 25	0,85		23/04/2003	--
0006	LAFN48368		BAND KSM 2V. INX	1,00	24/04/2003		--
0007	LAFN27133		DOUBLE COIL M26X1.5 KSM 20M	1,00			--
0008	LAFN20115		INT. CYLINDER KSM INX	1,00			--
0009	LAFN19952		EXT. CYLINDER KSM INX	1,00			--
0010	GUVR25775		GASKET D. 105/88 X 3	1,00			--
0011	LAFN20055		NOSEPIECE KSM	1,00			--
0012	LAFN30294		BAFFLE KSM/AGN	1,00			--
0013	UGBR18630		BURNER NOZZLE 0.75 45 A	1,00			--
0014	MFVR19964		ELECTR.HOLDER KSM	1,00		26/01/2005	--
0014	MFVR88612		ELECTR.HOLDER KSM 1/8CN.	1,00	27/01/2005		--
0015	MECA18232		ELECTRODE L=101.5 KSM	2,00			--
0016	LAFN20123		PLATE KSM INX	1,00			--
0017	MECV35336		CABLE A.T. 9,8-23KOHM/M L= 750P	2,00			--
0019	MECB34463		CABLE BT L=800 SP. FD	1,00			--
0020	RCVR08954		ELBOW 1/8"-4 B5	1,00	01/03/2015		--
0020	RCVR08954		ELBOW 1/8"-4 B5	1,00		30/06/2013	--
0020	RCVR14014		BI-CONE CONNec. DTT 1/8" M B1 D. 2/ 4 NIK	1,00	01/07/2013	31/10/2013	--
0020	RCVR72867		CONNECTOR A "T" 1/8" FFM	1,00	01/07/2013	31/10/2013	--
0020	RCVR40126		BI-CONE CONNec. T 1/8" M/F D. 4/ 6C NK.	1,00	01/11/2013	28/02/2015	--
0020	RCVR89230		CAP G 1/8 M C/O-RING.	1,00	01/07/2013	28/02/2015	--
0022	LAFN43244		CHIMNEY EXTENS. KSM H.70 INX	1,00			--



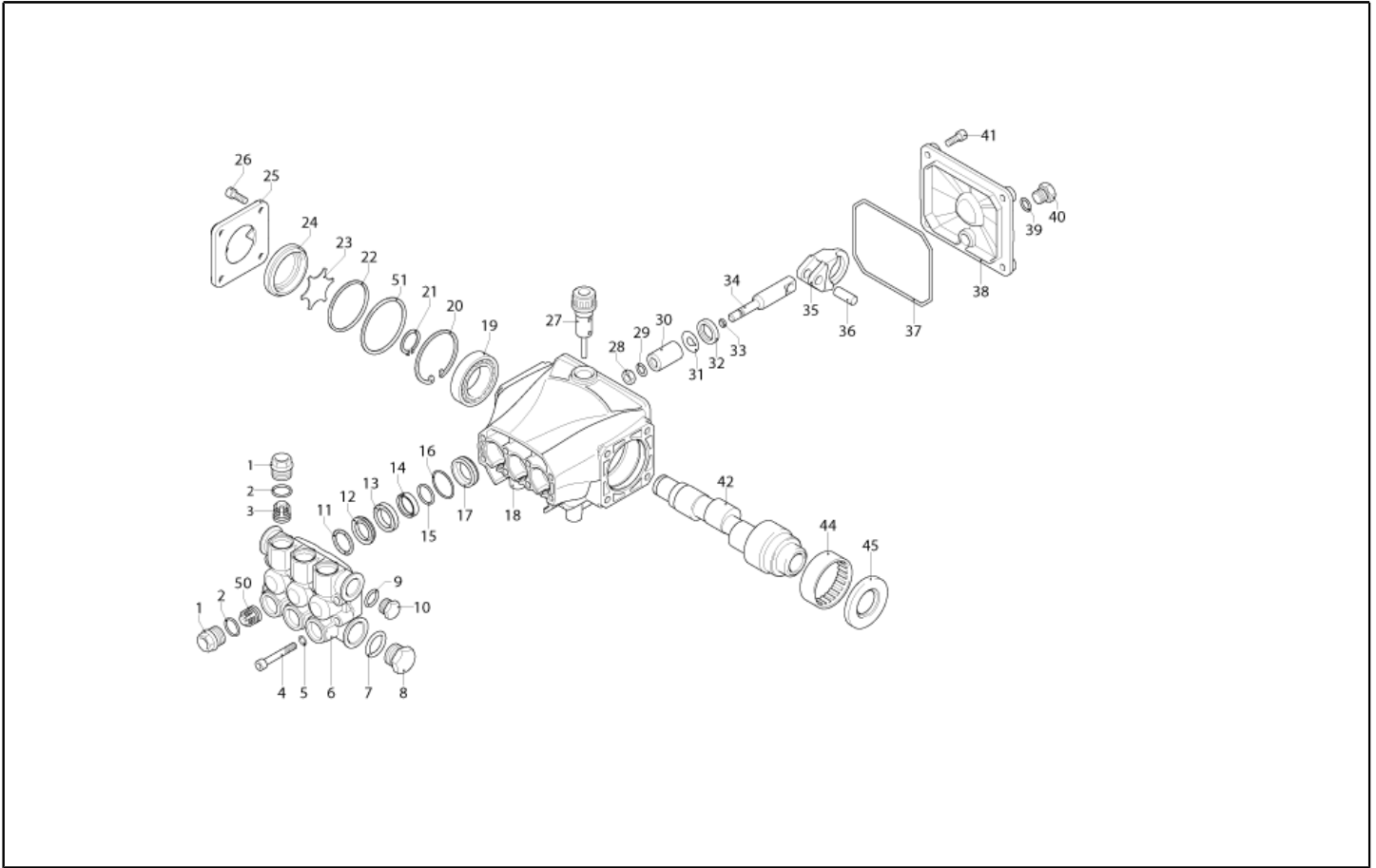
Ref. K	Part N.	Customer Part N.	Description	Quantity	Validity		Price
					From	To	
0001	MPVR21415		CLIP KSM	2,00			--
0002	MPVR20114		CONVEYOR KSM	1,00			--
0003	GUGO20124		GASKET KSM	1,00			--
0004	MPVR20125		SCROLL BODY KSM PP	1,00			--
0005	VEVR20128		IMPELLER KSM D.140 29P. PA66	1,00			--
0006	MPVR20129		THROTTLE KSM PP	1,00			--
0007	MPVR20126		FAN COVER KSM PP	1,00			--
0008	FGGT49223		JOINT KSM/P190 2V. PP	1,00			--
0009	VTVR20127		CLIP KSM	6,00			--
0010	RCDS00626		HOSE FITTING 1/4 M D. 5- 7	1,00			--
0012	FSVR11197		CLAMP D.I. 11 13315	2,00			--
0013	FTCO10912		FILTER FB 13/T NYL.	1,00			--
0014	TBCO06945		L.P. HOSE D. 6-12 10BAR C.PRESS	0,30			--
0016	FSVR00427		CLAMP D. 12 CLIC 66-110	2,00			--
0017	MECB43707		CABLE DNF L=1300	1,00			--
0018	PPGS40011		FUEL PUMP DNF BFA 01R3L1	1,00	01/07/2010		--
0018	PPGS43706		FUEL PUMP DNF BFPC21R3L1	1,00	21/10/2000	30/06/2010	--
0019	MEBE43705		COIL DNF 220-50	1,00			--
0020	RCLR08954		ELBOW 1/8"-4 B5	1,00			--
0021	TBCO20188		DIESEL HOSE D. 4 KSM	1,00			--
0021	TBCO20188		DIESEL HOSE D. 4 KSM	1,00		14/07/2014	--
0021	TBCO40017		DIESEL HOSE D. 4 KSM IX.	1,00	15/07/2014		--
0022	LAFN21890		BUSHING D. 25	1,00			--
0022	RCDS20417		BUSHING KSM	1,00			--



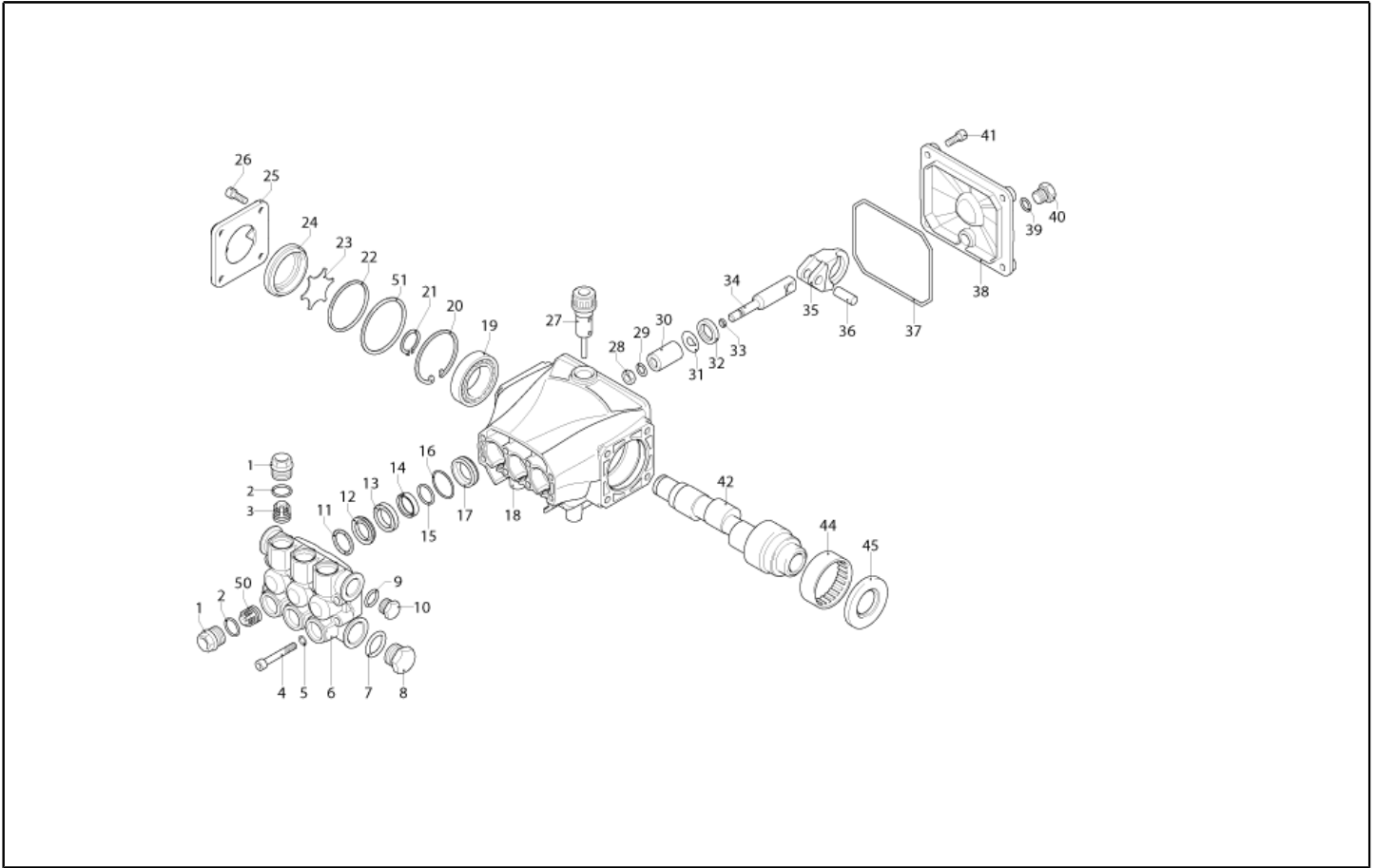
Ref. K	Part N.	Customer Part N.	Description	Quantity	Validity		Price
					From	To	
C	MECO20194		CAPACITOR 60MF +M8 D.55X 95	1,00			--
F	MEVR00237		FUSE 5X20 3,15A	1,00			--
K	METT32202		CONTACTOR MC1 A 400A T6 230V 50/60	1,00		30/11/2014	--
K	METT40012		CONTACTOR SIE 3RT 2017-1AP01 230V	1,00	01/12/2014		--
M	MOMO24015		1PH MOTOR KSM HP2.5 230-50 2P H80IP	1,00			--
DA	METT18985		GROUND PROTECT. WEBER T11-211 13A	1,00			--
EV	MEBE43705		COIL DNF 220-50	1,00			--
IG	MECI40022		SWITCH BRM BP. 0-1 20A	1,00			--
P1	MEPF39741		PRESSURE SWITCH MTM 1/8M NA/NC 25B. MICRO	1,00			--
P2	MEPF39902		PRESSURE SWITCH MTM 1/4M NA/NC 25B. MICRO	1,00			--
TA	METR88630		TRANSFORMER 23/240V-5/60HZ 2X26KV TR.	1,00			--
TH	METK40011		THERMOSTAT 0-150° L=1500 F&C	1,00			--
TM	METY42780		TIMER THV/2+RL.15-250V 5/60 30S	1,00			--
CV1	MECB46599		CABLE H07 RNF 3X1.5 L=6.500 SP.	1,00	15/07/2014		--



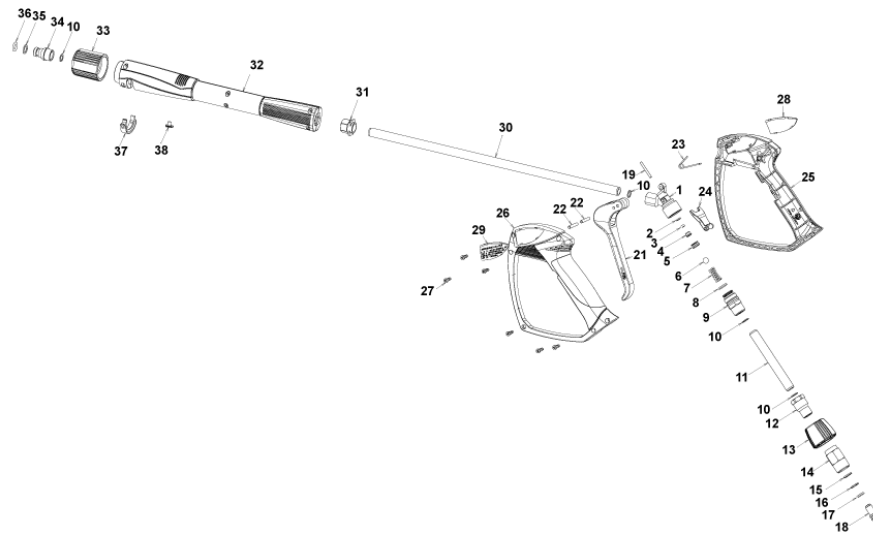
Ref. K	Part N.	Customer Part N.	Description	Quantity	Validity		Price
					From	To	
0001	PVVR40120		CAP AR RC	6,00			--
0002	GUGO03505		O-RING D. 15.6 X 1.78 NBR 70SH	6,00			--
0003	S VVAM40002		VALVE UNIT RC	6,00		31/07/2012	--
0003	S VVAM40002		VALVE UNIT RC	3,00	01/08/2012		--
0004	VTVT06236		SCREW TCCE UNI 5931 6X40 ZB	8,00			--
0005	VTRS01077		WASHER D. 6,4X10X0,7	8,00			--
0006	MFVR40026		HEAD AR RCS OT.	1,00			--
0007	GUGO19245		O-RING D. 17.5 X 2 NBR 70SH	1,00			--
0008	PVVR40121		CAP 1/2 M RC	1,00			--
0009	GUGO09720		O-RING D. 14 X 1.78 NBR 70SH	1,00			--
0010	PVVR40099		CAP 3/8 M HRM	1,00			--
0011	S PVVR40158		HEAD RING D. 15 RCS	3,00			--
0012	S GUVR40028		PACKING D. 15 XJS	3,00			--
0013	PVVR40159		INTERMED. RING D. 15 RCS	3,00			--
0014	S GUVR40041		PACKING D. 15 RCS L.P.	3,00			--
0015	S GUVR40042		ANTI-EXTR.RING D.15	3,00			--
0016	S GUGO08182		O-RING D. 21.91 X 1.78 NBR 70SH	3,00			--
0017	PVVR40160		PACKING RETAIN. D. 15 RCS	3,00			--
0018	MFVR40027		PUMP CRANKCASE AR RCS	1,00			--
0019	CUVR28336		BALL BEARING 6304	1,00			--
0020	VTAE09661		CIRCLIP D. 52 UNI 7437	1,00			--
0021	VTAE06193		CIRCLIP D. 20 UNI 7435	1,00			--
0022	GUGO02561		O-RING D. 47.3 X 2.62 NBR 70SH	1,00			--
0023	PVVR40125		DISC RC	1,00			--
0024	PVVR40126		OIL INDICATOR RC	1,00			--
0025	MFVR40021		CRANKCASE COVER AR RC LT.	1,00			--
0026	VTVT01531		SCREW TE 6X 16 UNI 5739	4,00			--
0027	PVVR19231		OIL CAP XTS	1,00		31/03/2014	--
0027	PVVR40436		OIL CAP RC	1,00	01/04/2014		--
0028	VTDD00483		NUT M 8 ZIN UNI 5588	3,00			--
0029	VTRS19394		WASHER D. 8X13X0.5	3,00			--
0030	S PIVR19232		PISTON D. 15 XTS	3,00			--
0031	PVVR19233		DISC XTS	3,00			--
0032	S GUGO09690		OIL SEAL 15X 24X 5 NBR70	3,00			--
0033	GUGO08071		O-RING D. 4.48 X 1.78 NBR 70SH	3,00			--
0034	PVVR40127		PISTON GUIDE RC	3,00			--
0035	BLVR40001		CONNECTING ROD RC	3,00			--
0036	PVVR40128		GUDGEON D. 9X23 RC	3,00			--
0037	GUGO18695		O-RING D. 101.27 X 2.62 NBR 70SH	1,00			--
0038	MFVR40022		CRANKCASE COVER AR RC	1,00			--
0039	GUGO01036		O-RING D. 10.82 X 1.78 NBR 70SH	1,00			--
0040	PVVR40129		CAP 1/4 M RC	1,00			--
0041	VTVT09913		SCREW TCEI 6X16 UNI5931	4,00			--
0042	ALMO40029		SHAFT AR RCS 9LT VRS. B	1,00			--



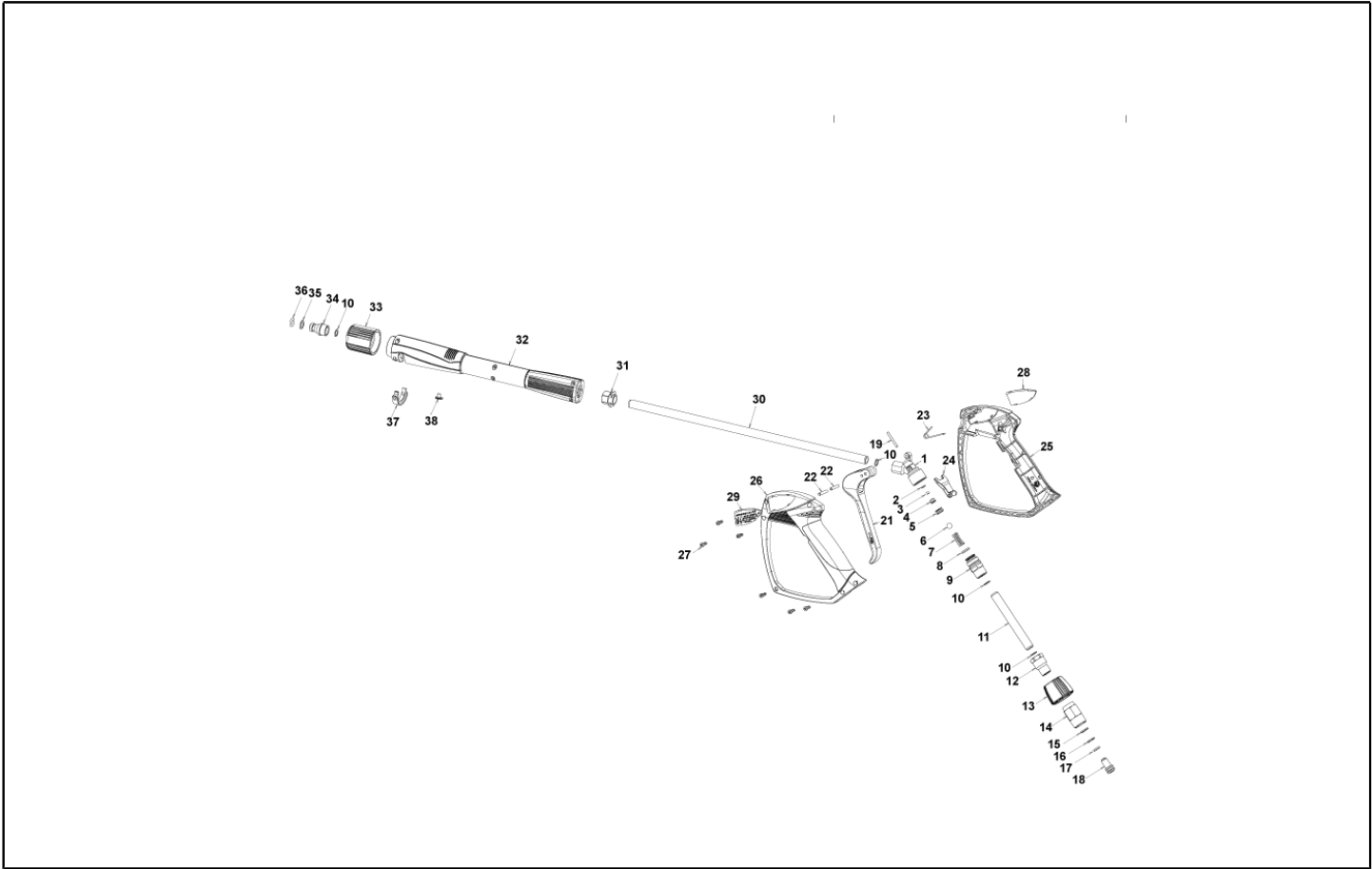
Ref. K	Part N.	Customer Part N.	Description	Quantity	Validity		Price
					From	To	
0043	CUVR23636		ROLLER BEARING HK 4516	1,00			--
0045	GUGO23638		OIL SEAL 40X 52X 7 NBR70	1,00			--
0050	S VVAM40007		VALVE UNIT RC ASP. BK	3,00	01/08/2012		--
0051	PVVR40437		RING D. 51.8 X0.5	1,00	01/04/2014		--



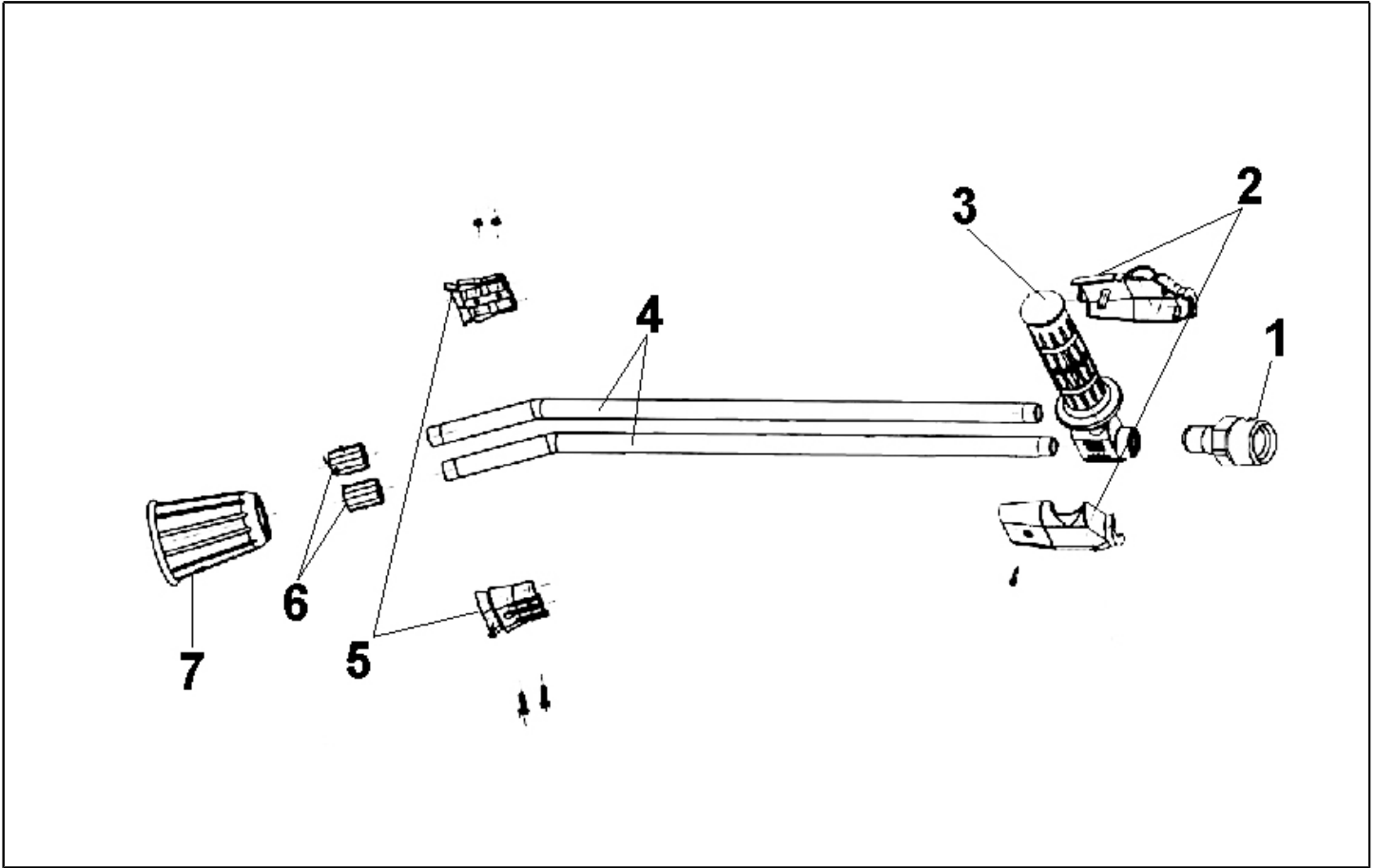
Ref. Part N.	Cust. Part N.	Description	Reference	Price
KTRI40092		KIT P 15-2186 RC	0003	--
KTRI40096		KIT P 15-42918 RC	0032 0045	--
KTRI40139		KIT P 15-42920 D.15 RCS	0030	--
KTRI40140		KIT P 15-42921 D.15 RCS	0012 0014 0015 0016	--
KTRI40141		KIT P 15-2191 D.15 RCS	0011	--
KTRI40207		KIT P 15-42914 RC 3+3 BL./WH.	0003 0050	--



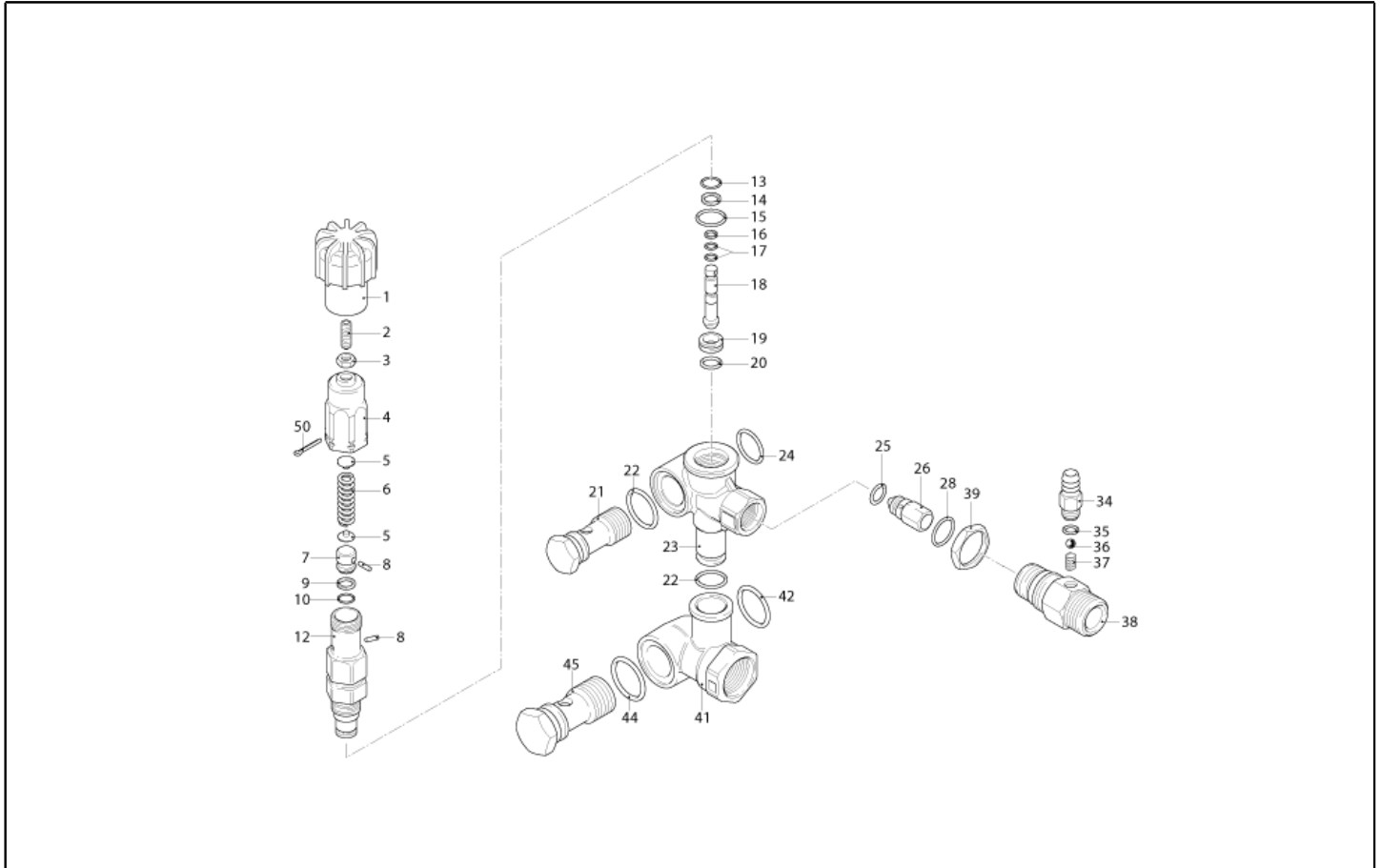
Ref. K	Part N.	Customer Part N.	Description	Quantity	Validity		Price
					From	To	
0001	PVVR40381		GUN BODY G 5100 G1/4F	1,00			--
0002	S	GUVR40074	ANTI-EXTR.RING D. 3 X 7.4X1.3	1,00			--
0003	S	GUGO21835	O-RING D. 2.84 X 2.62 VIT. 80SH	1,00			--
0004	PVVR40382		PISTON GUIDE G 5100	1,00			--
0005	S	PVVR40112	BALL SEAT G 5000	1,00			--
0006	S	SFVR27026	BALL D.11/32" INX	1,00			--
0007	MLML40016		SPRING D. 9.4 x21.5x1.6 G5000	1,00			--
0008	GUGO12322		O-RING D. 14 X 1.78 NBR 90SH	1,00			--
0009	PVVR40383		CONNECTOR COLL.G5100 1/4F	1,00			--
0010	VTRS40017		WASHER D. 8,2X11,4X1,00	4,00			--
0011	PVVR40384		TUBE G 1/4" L.105	1,00			--
0012	RCIN40022		CONNECTOR SWIV G5100 1/4F	1,00			--
0013	MPVR40486		RING NUT G 5100 SW. GR.	1,00			--
0014	RCIN40021		JOINT SWIV 5100 M22	1,00			--
0015	S	GUVR40075	ANTI-EXTR.RING D. 10 X14X1.5	1,00			--
0016	S	GUVR40076	ANTI-EXTR.RING D. 11.2X14X1.2	1,00			--
0017	S	GUGO15295	O-RING D. 10.82 X 1.78 VIT 80SH	1,00			--
0018	PVVR40386		SCREW SW. G 5100	1,00			--
0019	PVVR40387		SMALL PISTON G 5100	1,00			--
0021	MPVR40487		TRIGGER G 5100-SW	1,00			--
0022	VTVR40047		PLUG D. 4X29	2,00			--
0023	MLML40029		SPRING G 5100	1,00			--
0024	MPVR40488		SAFETY-DEVICE G 5100-SW	1,00			--
0025	MPVR40489		SHELL G 5100-SW DX	1,00			--
0026	MPVR40490		SHELL G 5100-SW SX	1,00			--
0027	VTVT40043		SCREW AF 4X 14 HILO ZN.N	6,00			--
0028	MPVR40491		PLATE G 5100 GR.DX	1,00			--
0029	MPVR40492		PLATE G 5100 GR.SX	1,00			--
0030	LCPR40086		TUBE 1/4 L=420 ZC. 0°	1,00			--
0031	MPVR40493		CONNECTOR G 5100-SW	1,00			--
0032	MPVR40494		PROTECTION P 420 C/AN.	1,00			--
0033	PVVR40119		CONNECTION M22X1.5 IRV G5000	1,00			--
0034	RCIN40009		GUDGEON G 1/4 F IRV G5000	1,00			--
0035	GUVR40034		ANTI-EXTR.RING D. 10 X14	1,00			--
0036	GUGO01946		O-RING D. 9.13 X 2.62 VIT 70SH	1,00			--
0037	MPVR40495		CAP G 5100 REM.	1,00			--
0038	MPVR40198		CAP G 5000	1,00			--



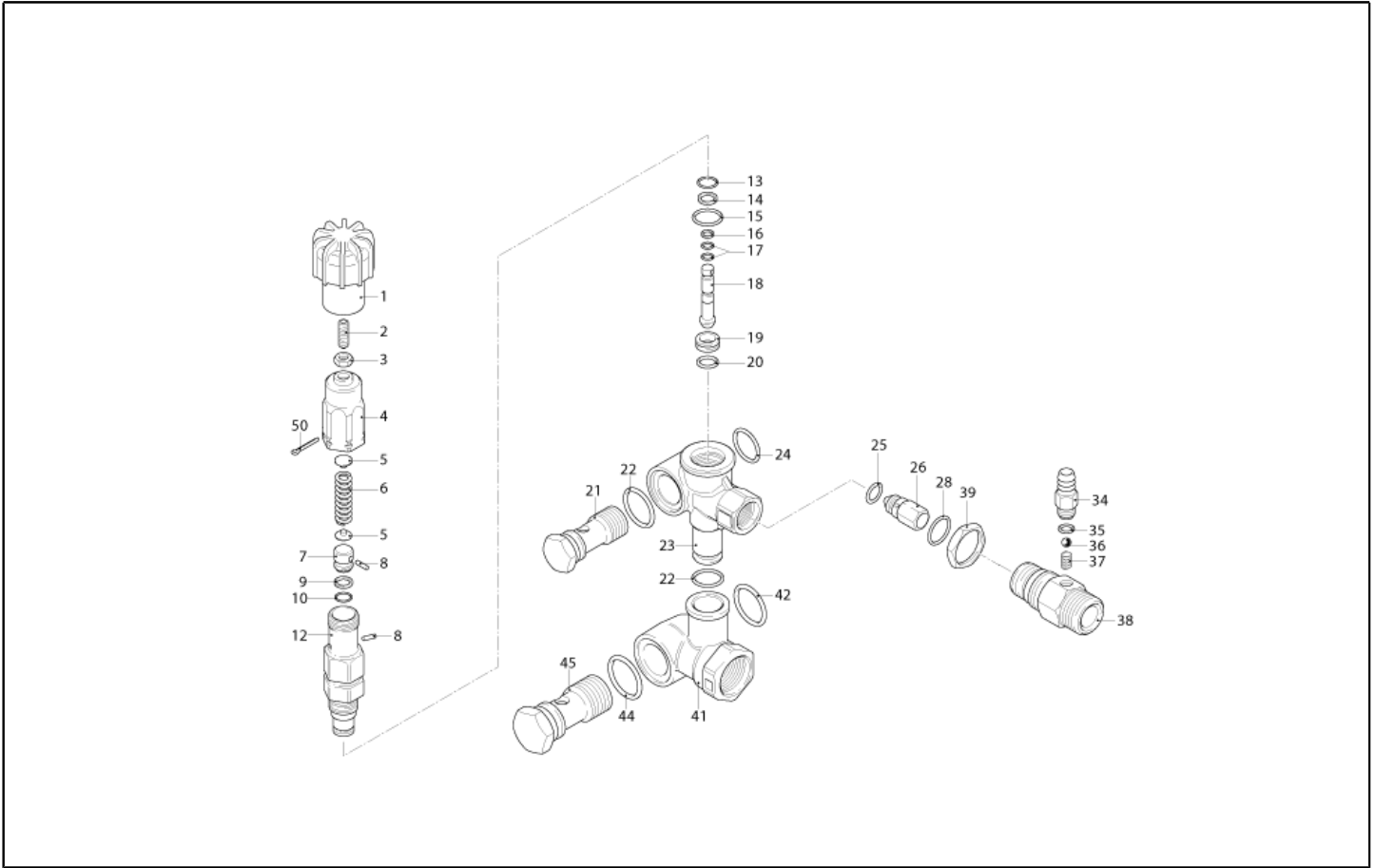
Ref. Part N.	Cust. Part N.	Description	Reference	Price
KTRI40242		KIT P 26- 25 G 5100	0002 0003 0005 0006	--
KTRI40243		KIT P 26- 26 SWIVEL G 5100	0015 0016 0017	--



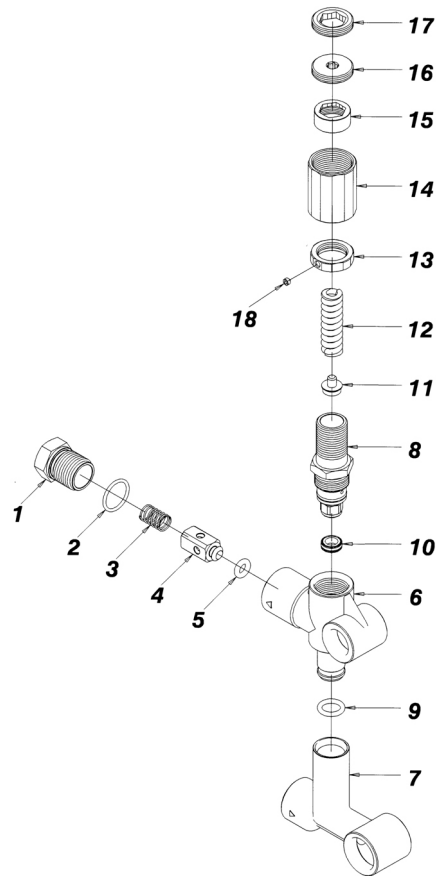
Ref. K	Part N.	Customer Part N.	Description	Quantity	Validity		Price
					From	To	
0001	PVVR45296		COUPLING G 1/4M -M22 M +PR.PLS	1,00			--
0002	MPVR45214		PROTECTION TB.1/4 MTM	1,00			--
0003	RCGR45737		TAP 1/8 F LD MTM	1,00			--
0004	LCPR45740		TUBE 1/8 L=660 INOX MTM	2,00			--
0005	MPVR45001		SHELL LD MTM	1,00			--
0006	RCVR45741		NOZZLE HOLDER 1/4-1/8 F MTM	2,00			--
0007	PVVR43810		PROTECTION L.D. MTM	1,00			--



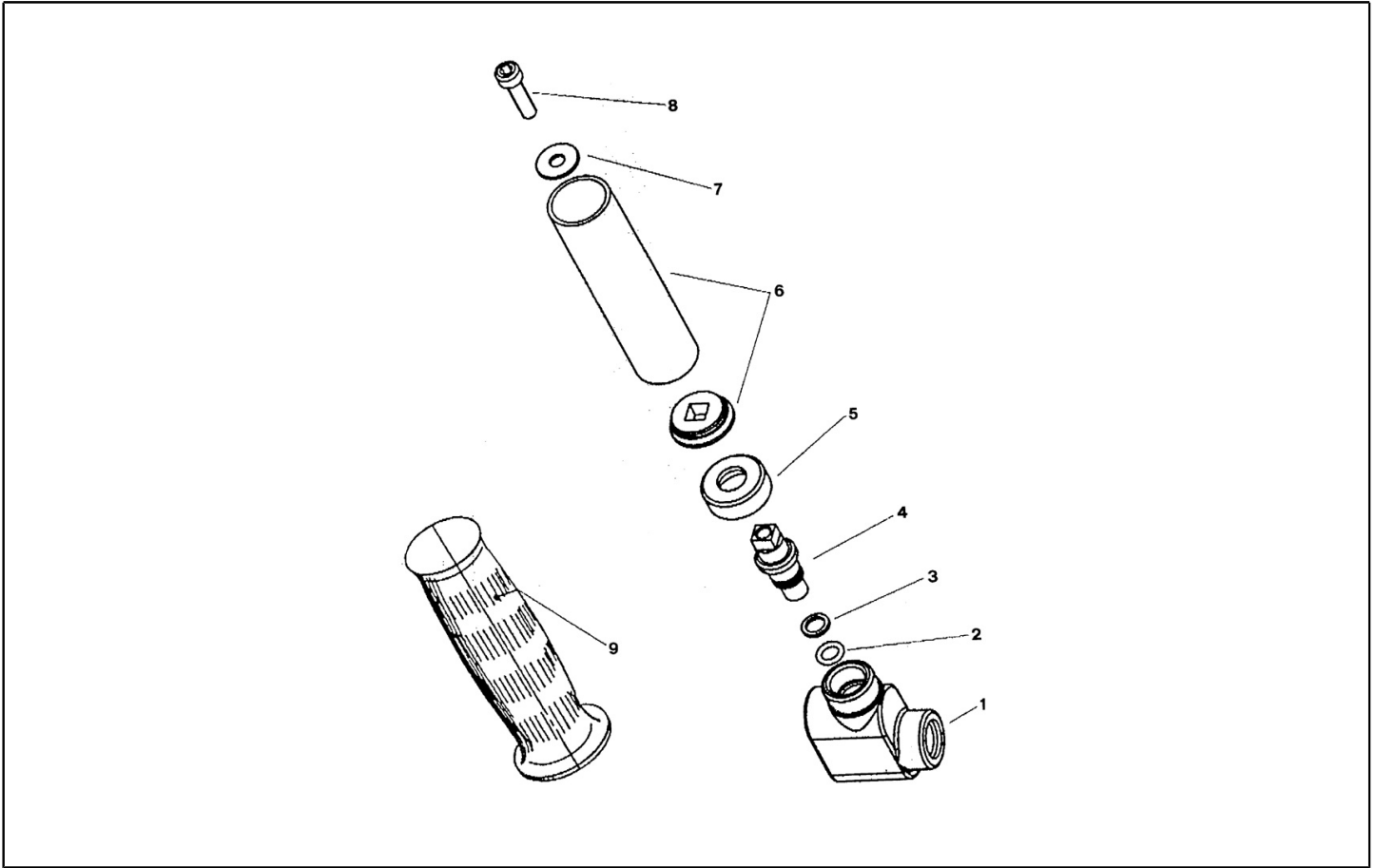
Ref. K	Part N.	Customer Part N.	Description	Quantity	Validity		Price
					From	To	
0001	PVVR40227		KNOB M.MT/4B	1,00			--
0002	VTVT20261		SCREW EI-ST 6X20 UNI5923	1,00			--
0003	VTDD00482		NUT M 6 ZIN UNI 5588	1,00			--
0004	PVVR40066		REGISTER AR XJS	1,00		30/06/2013	--
0004	PVVR40236		KNOB M.MT/4B	1,00	01/07/2013		--
0005	PVVR40067		SPRING PLATE AR XJS	2,00			--
0006	MLML40007		SPRING D. 10.8X48.9 D.2.8 XJS	1,00			--
0007	S PVVR40068		SMALL PISTON AR XJS SP.	1,00			--
0008	S VTVR19193		PLUG D. 2.5X10	1,00			--
0009	S GUVR40026		ANTI-EXTR.RING D. 8	1,00			--
0010	S GUGO06988		O-RING D. 7.66 X 1.78 NBR 70SH	1,00		30/06/2013	--
0010	S GUGO40179		O-RING D. 8 X 2 NBR 70SH	1,00	01/07/2013		--
0012	S PVVR40069		PISTON GUIDE AR XJS	1,00		30/06/2013	--
0012	S PVVR40385		PISTON GUIDE AR XJS 2V.	1,00	01/07/2013		--
0013	S GUGO09720		O-RING D. 14 X 1.78 NBR 70SH	1,00			--
0014	S GUGO63403		O-RING D. 8.73 X 1.78 NBR 70SH	1,00			--
0015	S GUGO02259		O-RING D. 15.54 X 2.62 NBR 70SH	1,00			--
0016	S GUVR40027		ANTI-EXTR.RING D. 3.7	1,00			--
0017	S GUGO19189		O-RING D. 2.90 X 1.78 NBR 70SH	2,00			--
0018	S PVVR40070		CONTROL PISTON AR XJS IF.	1,00			--
0019	S PVVR40071		VALVE SEAT AR XJS	1,00			--
0020	S GUGO41692		O-RING D. 9 X 1 NBR 70SH	1,00			--
0021	RCDS40068		SCREW G 3/8 M.MATIC 4/B OT.	1,00			--
0022	GUGO01047		O-RING D. 11.91 X 2.62 NBR 70SH	2,00			--
0023	PVVR40130		VALVE BODY M.MATIC 4/B	1,00			--
0024	GUGO19395		O-RING D. 20.24 X 2.62 NBR 70SH	1,00			--
0025	S GUGO12494		O-RING D. 4 X 2.5 -NBR 70SH	1,00			--
0026	S PVVR40074		COUPLING N.RIT. XJS	1,00			--
0027	MLML32257		SPRING D. 6.5 X14 D.0.5	1,00		30/06/2013	--
0028	S GUGO11652		O-RING D. 12.42 X 1.78 NBR 70SH	1,00			--
0034	PVVR40135		HOSE FITTING M.MATIC 4/B IN.	1,00			--
0035	GUGO08071		O-RING D. 4.48 X 1.78 NBR 70SH	1,00			--
0036	SFVR04274		BALL D. 7/32	1,00			--
0037	MLML40008		SPRING D. 4	1,00			--
0038	RCDS40074		NIPPLE G 3/8 D. 2 M.MATIC 4/B	1,00			--
0039	VTDD40003		LOCKNUT M20x1	1,00			--
0041	PVVR40131		CONNECTOR M.MATIC 4/B	1,00			--
0042	GUGO76542		O-RING D. 23.47 X 2.62 NBR 70SH	1,00			--
0044	GUGO01058		O-RING D. 17.17 X 1.78 NBR 70SH	1,00			--
0045	RCDS40070		SCREW G 1/2 M.MATIC 4/B	1,00			--
0050	VTVR40025		SPLIT PIN D. 2.6X15	1,00			--



Ref. Part N.	Cust. Part N.	Description	Reference	Price
KTRI40127		KIT P 14-100 M.MATIC 4/B	0007 0008 0009 0010 0012 0013 0014 0015 0016 0017 0018 0019 0020	--
KTRI40128		KIT P 14-101 M.MATIC 4/B CK.V.	0025 0026 0028	--



Ref. K	Part N.	Customer Part N.	Description	Quantity	Validity		Price
					From	To	
0001	PVVR47977		CONNECTOR MV625 G 3/8F	1,00			--
0002	GUGO01058		O-RING D. 17.17 X 1.78 NBR 70SH	1,00			--
0003	MLML47978		SPRING MV 625	1,00			--
0004	PVVR47979		PIN MV 625	1,00			--
0005	GUGO46053		O-RING D. 6 X 3 NBR 90SH	1,00			--
0006	PVVR47980		VALVE BODY MV 625	1,00			--
0007	PVVR40271		CONNECTOR MV 625-RR	1,00			--
0008	PVVR47988		CONNECTOR MV 625 REG.	1,00			--
0009	GUGO11225		O-RING D. 10.78 X 2.62 NBR 70SH	1,00			--
0010	PVVR47985		VALVE SEAT MV 625 + O-RING	1,00			--
0011	PVVR47986		SPRING PLATE MV 625	1,00			--
0012	MLML47987		SPRING D. 3.25X41.1 MV 625	1,00			--
0013	PVVR47984		RING NUT MV 625	1,00			--
0014	PVVR47989		CAP MV 625 REG.	1,00			--
0015	PVVR47990		RING NUT MV 625 REG.	1,00			--
0016	PVVR47991		REGISTER MV 625 REG.	1,00			--
0017	PVVR47992		CLAMP MV 625 REG.	1,00			--
0018	VTVT24918		SCREW EI-ST 4X 4 UNI5927	1,00			--
9999	RCDS40134		SCREW 1/4 MV165 84 OT	1,00			--
9999	RCDS40135		SCREW 3/8 MV165 71 OT	1,00			--



Ref. K	Part N.	Customer Part N.	Description	Quantity	Validity		Price
					From	To	
0001	RCGR41556		TAP BODY L.DOP. 1/8" MTM	1,00		08/03/2010	--
0001	PVVR40132		VALVE BODY L.DP 1/4"-1/8FF CP.	1,00	09/03/2010		--
0002	GUGO10330		O-RING D. 6.07 X 1.78 VIT 70SH	1,00		08/03/2010	--
0003	GUVR41551		ANTI-EXTR.RING SR 010	1,00		08/03/2010	--
0004	PVVR41553		SMALL PISTON L.DP. MTM	1,00		08/03/2010	--
0005	PVVR41555		RING NUT L.DOP. MTM	1,00		08/03/2010	--
0006	LAFN41552		PIPE D. 22 MTM	1,00			--
0007	VTRS15958		WASHER UNI 6592 5X15X1,5 ZB	1,00			--
0008	VTVT17639		SCREW TCEI M 5X10 UNI 5931	1,00			--
0009	MPVR41554		KNOB D. 22 MTM	1,00			--