



## Spare Parts List

Ipc Div.SOTECO

Ref: ASDO01424

Cust.Ref: AMSTCOMPACT 303

Model:

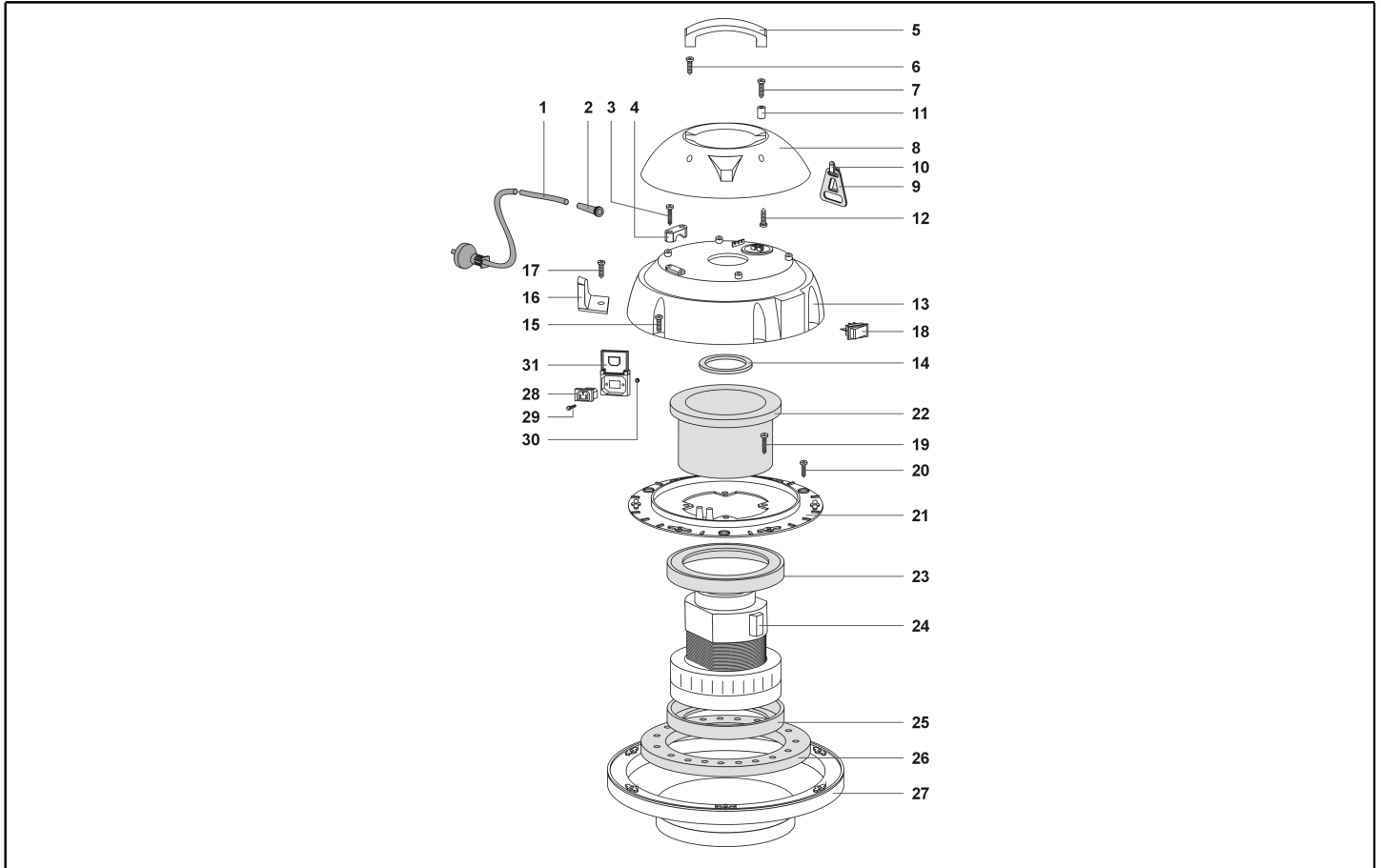
Cust.Model:



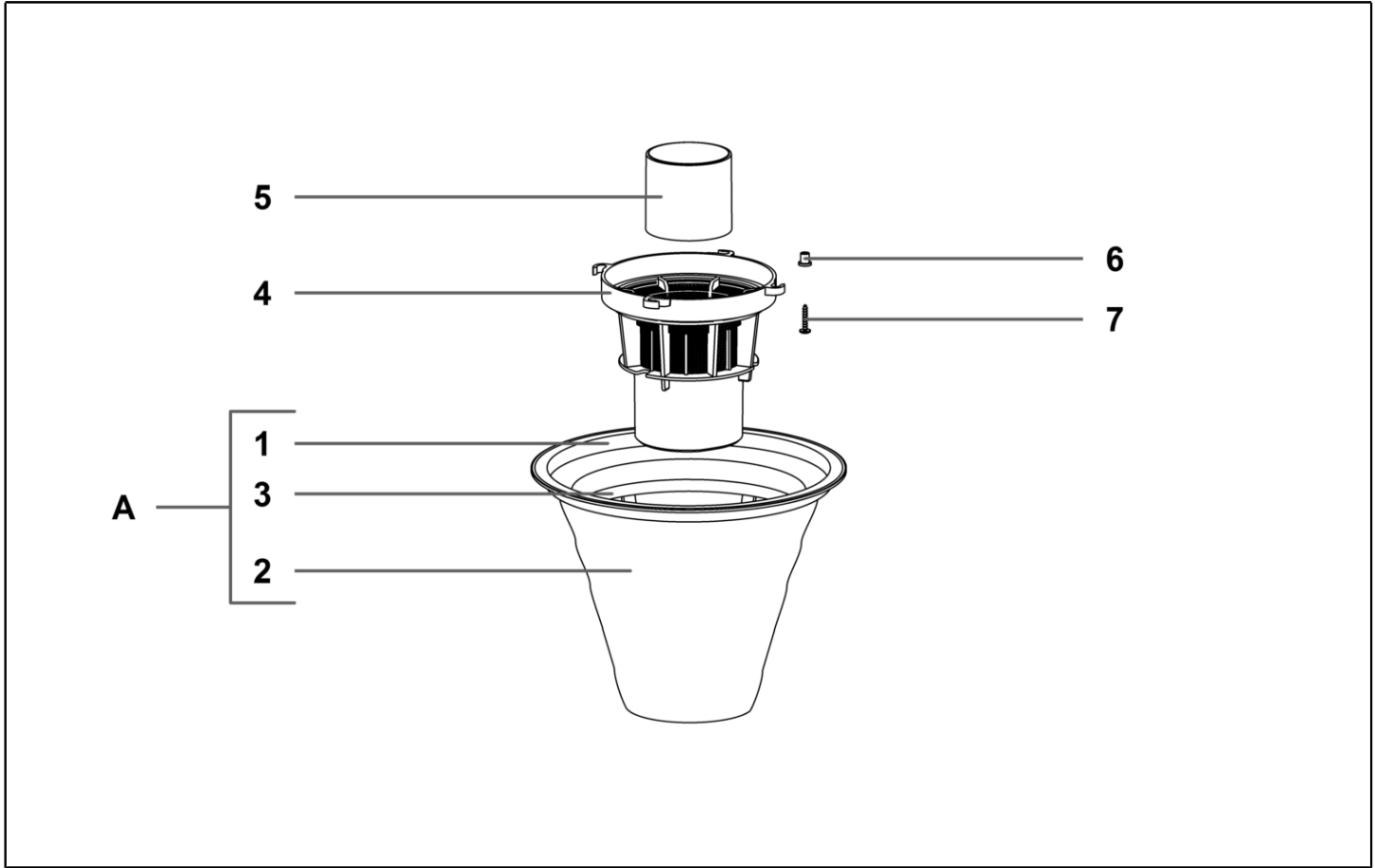
IPC Integrated Professional Cleaning

**IPC Soteco**

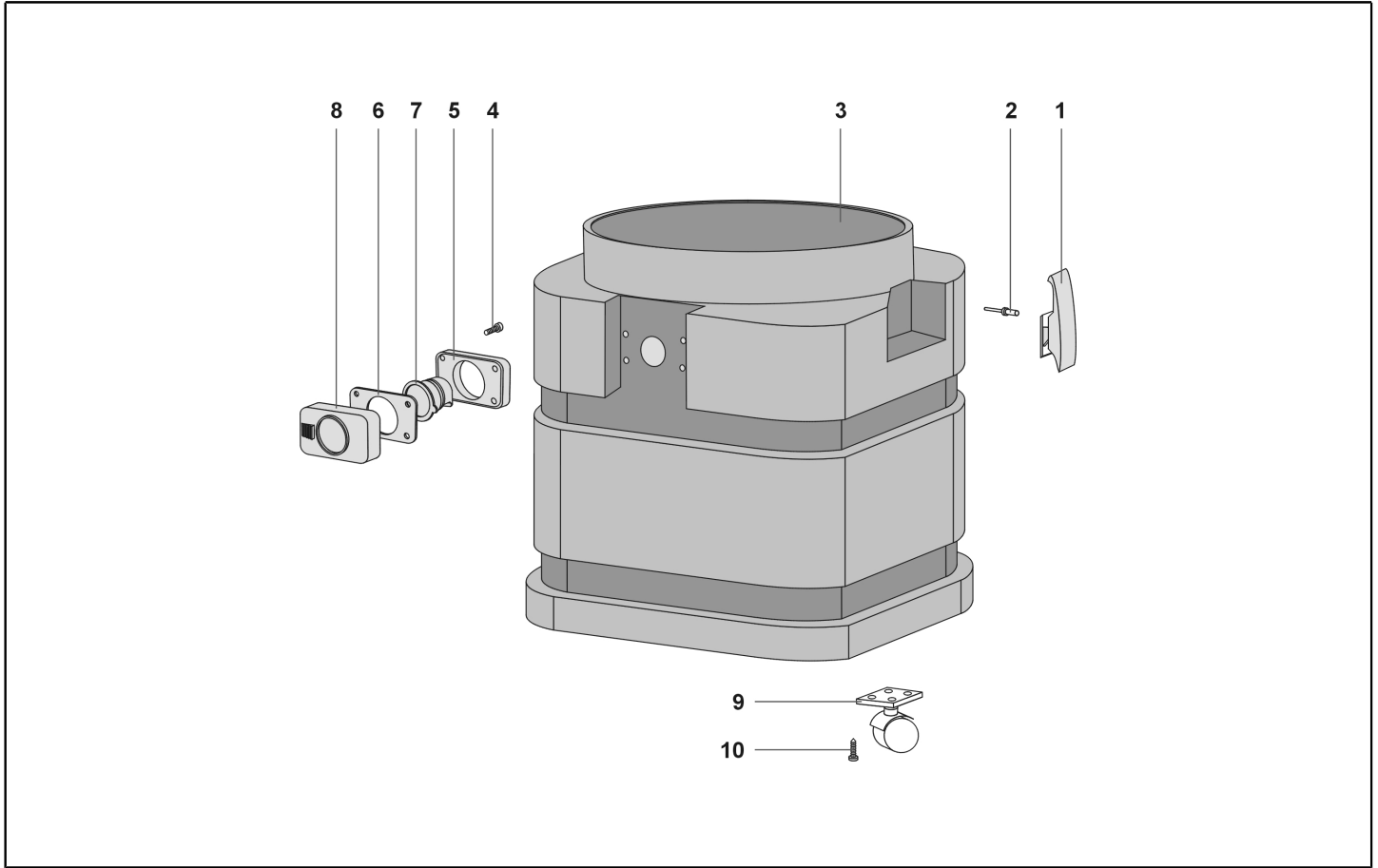
Ref. K	Part N.	Old Ref.	Description	Quantity	Validity		Price
					From	To	
0001	PMTA04271	00419/1200KNZ	HEAD A.303 1200 W. (KERR-NZ)	1,00			--
0002	KTRI04336	04244 SAN	FILTERING KIT 300 CON. SAN.COMPL.	1,00			--
0003	PMFU02019	02221/K	PLAST TANK/S V/INOX	1,00			--



Ref. K	Part N.	Old Ref.	Description	Quantity	Validity		Price
					From	To	
*	PMQE00254	06980	KIT ELETR.300/500 BA/IS RAD+PS98	1,00			--
*	MECB01628	01101 L	CONN.WIRE C.200-MA-FF-DFF	1,00			--
*	MECB01631	01101 M	CONN.WIRE C.200-LB-FF-DFF	1,00			--
*	MECB01829	07632/PI TP1200	WIRING 40CM MOT.POKE-IN-TP 1200	1,00			--
*	FSVR00127	01106	CLAMP	3,00			--
0001	MECB01511	00466 AUS	POWER CORD ELECTRIC CORD 3X1 (AUS)	1,00			--
0002	MEVR28673	00138	FAIRLEAD	1,00			--
0003	VTVT71961	01006	SCREW PFU TMT PHL 5X20 BLACK	2,00			--
0004	MPVR28690	00139	CABLE CLAMP	1,00			--
0005	MPVR09455	02997RA	HANDLE "T" AMST. RED AMSTERDAM	1,00			--
0006	VTVT71961	01006	SCREW PFU TMT PHL 5X20 BLACK	3,00			--
0007	VTVT72055	01979	SCREW PFU TMT PHL 5X25 ZN BLACK	1,00			--
0008	MPVR34362	00137RA	COVER A.300 AMSTERDAM RED	1,00			--
0009	MPVR06992	020232	HOOK F.CABLE AND SOCKET	1,00			--
0010	MPVR06955	07877	BLOCK "P" NYLON	1,00			--
0011	MPVR35796	03706	PLASTIC SLEEVE D.8	1,00			--
0012	VTVT71961	01006	SCREW PFU TMT PHL 5X20 BLACK	2,00			--
0013	PMVR04471	00141RA PS	COVERING 300 F/ADD.SOCKET RED	1,00			--
0014	MPVR38371	03969	WASHER H8 D85X65	1,00			--
0015	VTVT71961	01006	SCREW PFU TMT PHL 5X20 BLACK	5,00			--
0016	MPVR06686	03307	UNI.CABLE HAN. UNIVERSAL	1,00			--
0017	VTVT72055	01979	SCREW PFU TMT PHL 5X25 ZN BLACK	1,00			--
0018	MECI72195	00326	ANTISPLASH SWITCH	1,00			--
0019	VTVT71961	01006	SCREW PFU TMT PHL 5X20 BLACK	4,00			--
0020	VTVT71960	01005	SCREW PAT TMT PHL 5X14 ZN BLACK	2,00			--
0021	MPVR38366	03608	MOTORFASTENER WET	1,00			--
0022	FTDP38066	03900	FILTER PHONO H=75	1,00			--
0023	GUGO28683	03901	"L" GASKET W/O HOLES H=5,5	1,00			--
0024	MOMO00624	03890/E	MOTOR BD382 1200W 220-240 50/60	1,00			--
0025	GUGO28683	03901	"L" GASKET W/O HOLES H=5,5	1,00			--
0026	FTDP38067	03866	WASHER MTP 65MM 18D 230X145	1,00			--
0027	PMBA00379	00120 GRA	BASE 300 W/GASKET (RED AMST)	1,00			--
0028	MEVR29330	00098	SCREWED ADDITIONAL SOCKET	1,00			--
0029	VTVT01029	01044	SCREW TSP M 3X25 UNI 610	2,00			--
0030	VTDD00227	01046	NUT M 3 UNI 5588	2,00			--
0031	MEVR29329	02184	ADD.SOCKET PROTECTION	1,00			--



Ref. K	Part N.	Old Ref.	Description	Quantity	Validity		Price
					From	To	
A	FTDP00079	03239 SAN	KIT RING+FIL+BASKET 300 C	1,00			--
0001	MPVR35494	00123	FILTER RING 300	1,00			--
0002	FTDP00534	02860 SAN	FILTER POLY AN3-500 CON REG H230	1,00			--
0003	MPVR37038	02859	CONICAL BASKET 300	1,00			--
0004	MPVR40521	021243NE	NET ANTIFOAM BODY HIGH	1,00			--
0005	RCGR40008	02676-1 G	HIGH FLOAT 99 W/GASKET 37 SHA	1,00			--
0006	MPVR35796	03706	PLASTIC SLEEVE D.8	4,00			--
0007	VTVT36751	03724	SCREW PAT TMT PHL 5X25	4,00			--



Ref. K	Part N.	Old Ref.	Description	Quantity	Validity		Price
					From	To	
0001	CHVR28735	01847/SNE	COMPLETE PLASTIC HOOK BLACK	2,00			--
0002	VTVR00340	01300	RIVET 5X24,5	4,00			--
0003	MPVR06371	02028	PLASTIC TANK 300/S GREY4000	1,00			--
0004	VTVT01190	06258	SCREW AUT.TC PHL 4,8X32 INOX	4,00			--
0005	GUGO28736	02586NE	GASKET R 205 BLACK	1,00			--
0006	GUGO28701	02846	GASKET D.38	1,00			--
0007	MPVR28696	02593	DEFLECTOR 99	1,00			--
0008	MPVR72109	02652 ANE	INLET R 155 BLACK	1,00			--
0009	RTRT00444	02008	WHEEL D.50 W/SQUARE STAT.	4,00			--
0010	VTVT72114	02680	SCREW TC POZ 4X15 AC ZN BLACK	16,00			--