

Kerrick

EL Series



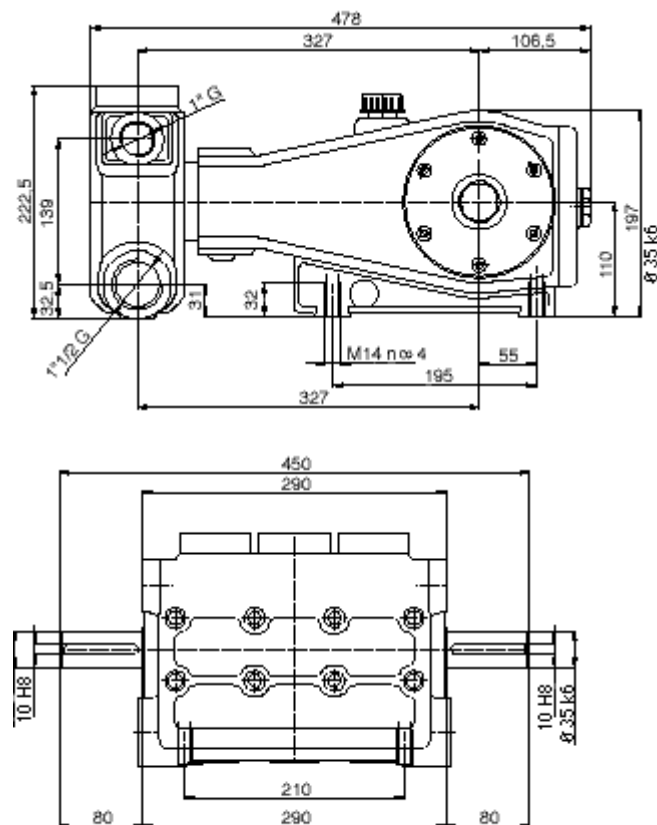
Technical Information

Weight: 65kg

Head: 3bar (43.5psi)

Oil: 4 litres

Dimensions



Kerrick

Pump type	r.p.m.	Volume		Pressure		KW	HP
		L/min	GPM	BAR	P.S.I.		
EL 84/190	1000	84	22.2	190	2755	31.6	43
EL 102/160	1000	102	27.0	160	2320	31.6	43
EL 122/130	1000	122	32.2	130	1885	31.6	43
EL 128/120	850	128	33.8	120	1740	29.4	40
EL 152/100	800	152	40.1	100	1450	29.4	40
EL 164/90	700	164	43.3	90	1305	29.4	40