

Kerrick

ECR Series



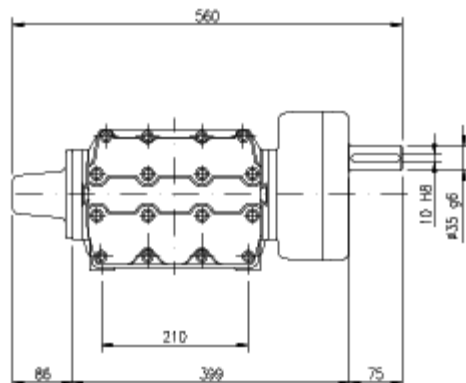
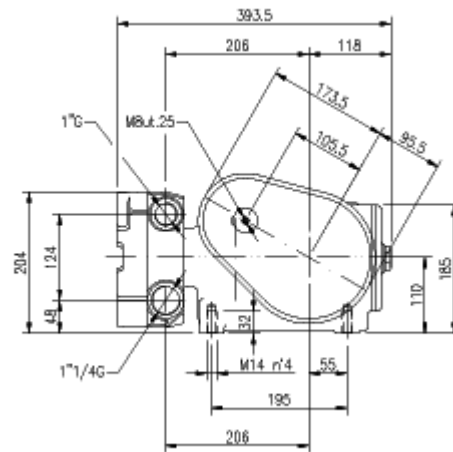
Technical Information

Weight: 82kg

Head: 3bar (43.5psi)

Oil: 4.5 litres

Dimensions



Kerrick

Pump type	Gearbox rpm	R.P.M.	Volume	
	r=1.5		l/min	GPM
ECR 105/150	1500	1000	105	27.7
ECR 132/110	1500	1000	132	34.8
ECR	1500	1000	163	43.0

Pump type	Pressure		KW	HP
	BAR	P.S.I.		
ECR 105/150	150	2175	29.4	40
ECR 132/110	110	1595	29.4	40
ECR	90	1305	29.4	40