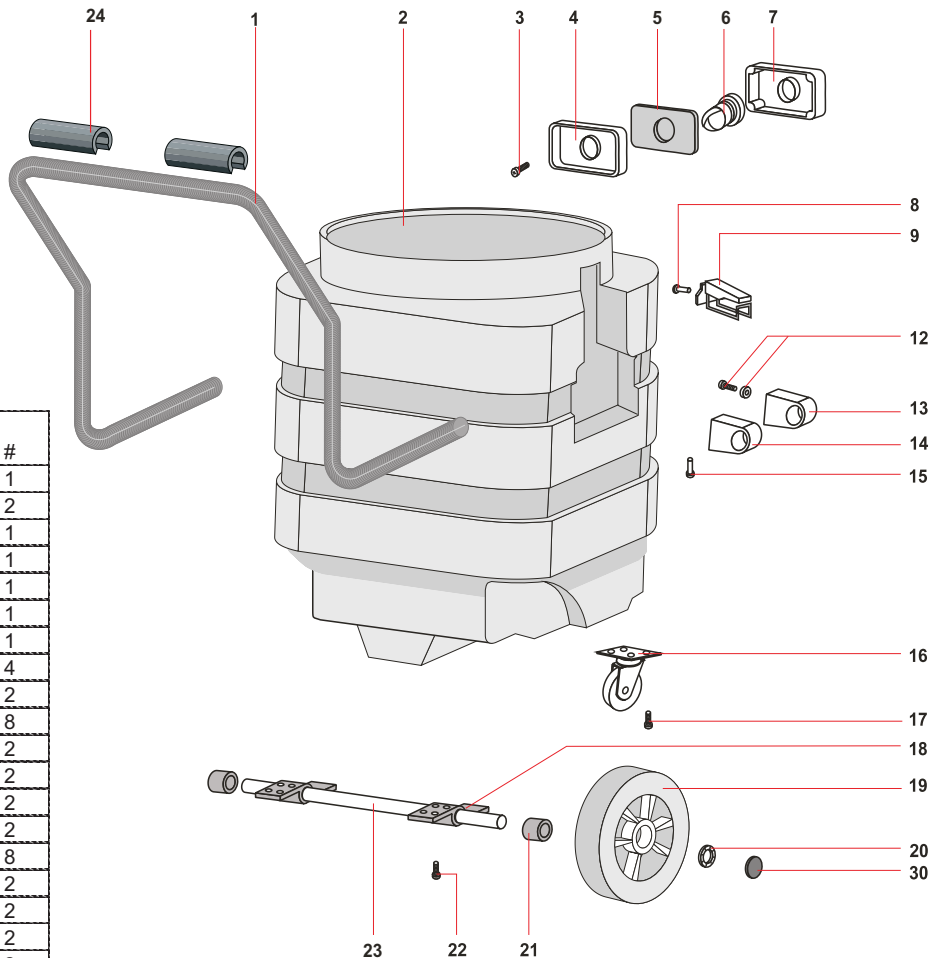
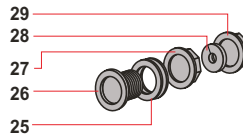


Pump

Assembly Part No: 1479

POS	PART NUMBER	DESCRIPTION	#
1	VP01449	CAVO ELETTRIC CORD 3X1,5 (AUS)	1
2	VP01736	CLIPS D.40	2
3	VP01452	ANTIFROST TUBE D.30X300	1
4	VP06467	BRASS NIPPLE 1" M D.30	1
5	VP01456	BOTTOM VALVE 1"	1
6	VP06466	BRASS ELBOW 90° 1" M-1" M	1
7	VP06469	RAPID BRASS COUPLING 1" F.	1
8	VP06470	RAPID BRASS COUPL. FOR FITTING 1"X30	1



Tank

Assembly Part No: 2624

POS	PART NUMBER	DESCRIPTION	#
1	VP2568 V	CAVO ELETTRIC CORD 3X1,5 (AUS)	1
2	VP02623	PLAST.MARK.TANK 400 SUB	2
3	VP06258	SCREW AUT.TC.PHL 4,8X32	1
4	VP02584	GASKET 99	1
5	VP02846	GASKET D.38	1
6	VP02593	DEFLECTOR 99	1
7	VP02652 A	INLET R.155	1
8	VP01300	RIVET 5X24,5	4
9	VP07390	GANCIO METALLICO UNIVERSALE	2
12	VP03970 INOX	COMPLETE SEAL W/SCREW L=30	8
13	VP01072-1	HEAD HANDLE SUPPORT	2
14	VP01860-1	PASSING SUPPORT HANDLE	2
15	VP01302	RIVET 5X19	2
16	VP02569	FLANGED WHEEL D.80	2
17	VP02680	SCREW TC.POZ 4X15	8
18	VP02566	HOLDER PIN WHEEL	2
19	VP00904	REAR WHEEL D.200	2
20	VP02557	BLOC D.18	2
21	VP02607	WHEEL SPACER MARK.PL.TANK	2
22	VP01006	SCREW PFU TMT PHL 5X20	8
23	VP02555	PIVOT WHEEL MARK.PLAST.TANK	1
24	VP06250	PLAST.TROLLEY HANDLE	2
25	VP06454	GASKET 1-1/2"	2
26	VP06453	INLET 1-1/2"	1
27	VP00803	RING 1-1/2"	1
28	VP06458	"SUB" FAIRLEAD	1
29	VP06452	RING NJT 1-1/2"	1
30	VP03835	WHEEL CAP D.200	2