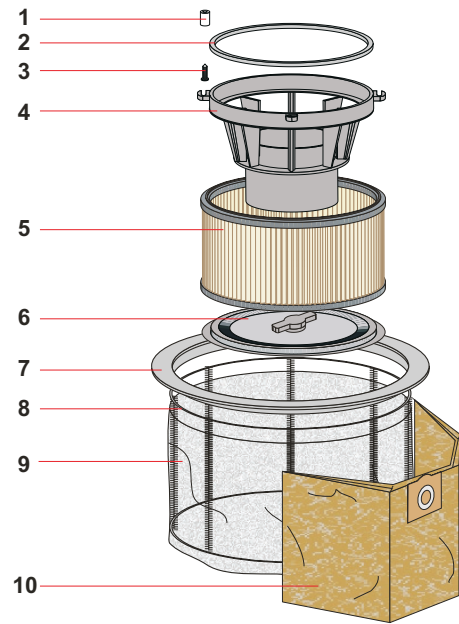


Head

Assembly Part No: 3144

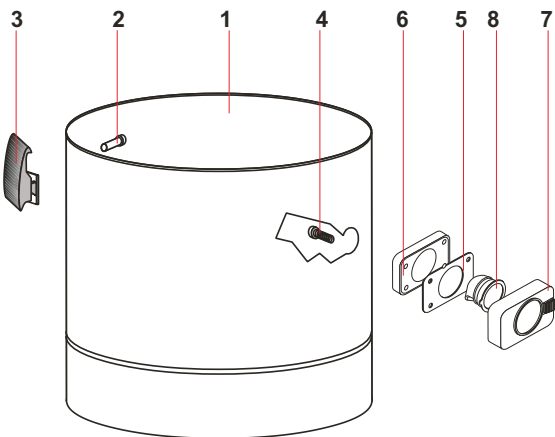
POS	PART NUMBER	DESCRIPTION	#
1	VP00117 AUS	ELECTRIC CORD 2X1 MT.8,5 AUS.	1
2	VP00138	CABLE SLEEVE	1
3	VP00139	CABLE CLAMP	1
4	VP01006	SCREW PFU TMT PHL 5X20	2
5	VP03464	TERMINAL BOARD BASE-SKIP BOX RAD	1
6	VP02928	HOOK NEVADA 200	1
7	VP02627	SCREW PAT TMT PHL 5X40	2
8	VP02927	HANDLE NEVADA 200	1
9	VP01026	SCREW PAT TMT PHL 5X30	1
10	VP01006	SCREW PFU TMT PHL 5X20	2
11	VP01054	SCREW PAT TMT PHL 5X50	1
12	VP01026	SCREW PAT TMT PHL 5X30	1
13	VP03145	COVER HOSPITAL	2
14	VP00114	SWITCH	2
15	VP03146	COVER GASKET	2
16	VP02625	FILTER 30X10X1000	1
17	VP01050	SCREW PAT TMT PHL 5X35	1
18	VP03147	COVERING HOSPITAL	1
19	VP02625	FILTER 30X10X1000	2
20	VP03148	HOSPITAL DEADENING FILTER	6
21	VP02881	HEPA FILTER H=125	1
22	VP03189	SCREW M 5X30	1
23	VP02627	SCREW PAT TMT PHL 5X40	6
24	VP03149	ELECTRIC KIT MOT. PAGODA AMETEK	1
25	VP01004	SCREW "TC" PHL 4,3X19	1
26	VP03613	MOTOR 1000W	1
27	VP03935	SPACER DRY MOTORS	1
28	VP01890TP S	MOTOR TD30 800 W.220-240 50/60 TP	1
29	VP03901	"L" GASKET WO/H H=5,5	1
30	VP02629	FILTER MTP/30 65X15 L=495	1
31	VP01189 G	BASE 500 W/GASKET	1
*	VP01101	CONNECTING WIRES	1
*	VP01107	WIRE WITH RESISTANCE	1
*	VP01106	CLIP	1



Filter

Assembly Part No: 3958

POS	PART NUMBER	DESCRIPTION	#
1	VP03706	PLASTIC SLEEVE D.8	1
2	VP03735	GASKET H2 ANTIFOAM BODY	1
3	VP03724	SCREW PAT TMT PHL 5X25	4
4	VP02822	LOWER ANTIFOAM BODY 99	1
5	VP02881	HEPA FILTER H=125	1
6	VP02855	COMPL.RING FOR FILTER	1
7	VP00507	FILTER RING 500	1
8	VP02677	BASKET 99	1
9	VP00771	POLYESTER FILTER H=180	1
10	VP02741	FILTER BAG 99	1



Trolley

Assembly Part No: 3158

POS	PART NUMBER	DESCRIPTION	#
1	VP01218	TROLLEY BODY SQUARE	1
2	VP21002	GREY WHEEL PIN RUBBER	4

Tank

Assembly Part No: 1573

POS	PART NUMBER	DESCRIPTION	#
1	VP01567	TANK 202 AISI 304	1
2	VP01301	RIVET 5X11	4
3	VP01847/S	COMPLETE PLASTIC HOOK/S	2
4	VP01026	SCREW PAT TMT PHL 5X30	4
5	VP02846	GASKET D.38	1
6	VP02586	GASKET R 205	1
7	VP02652	COMPLETE INLET 99	1
8	VP02593	DEFLECTOR 99	1

