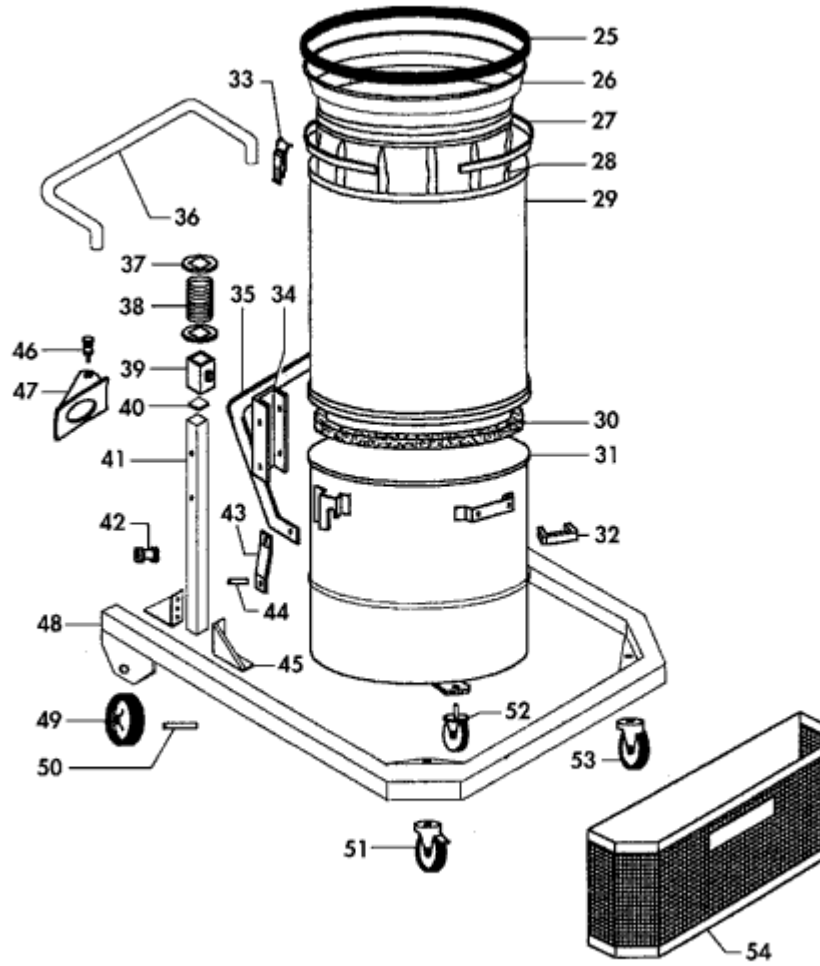


M65/M100 Tank and Frame



Pos.	Code	Description	Q.ty
1	200037	Handle ring	1
2	200038	Push rod	1
3	200039	Spring	1
4	200125	Washer	1
5	200041	Hinge	2
6	200042	Bush	1
7	202111	Nut	1
8	200105	Rod	1
9	200001	Cover	1
10	200002	Spacer	4
11	200003	Sound absorber	1
12	200004	Diaphragm	1
13	200005	Spacer	4
14	200007	Sound absorber	1
15	200986	Upper intermediate	1
16	200987	Lower intermediate	1
17	200012	Handle	2
18	200988	Sound absorber	1
19	200013	Sound absorber	1
20	200014	Sound absorber	1
21	200015	Motor base	1
22	200019	Spacer 3 M	1
23	200024	Spacer 2 M	3
23	200024	Spacer	4
24	209243	Filter holder	1
25	200032	Gasket	mt 1,5
26	209196	Ring	1
27	200034	Band	mt 1,5
28	209234	Filter	1
28	209135	Filter teflon	1
28	209136	Filter	1
28	209137	Filter nomex	1
29	209176	Chamber	1
29	209378	Chamber inox	1
	209224	Chamber inox	1
30	200050	Gasket	mt 1,5
31	200060	Container 65 lt	1
• 31	209220	Container 65 lt	1
31	204822	Container 100 lt	1
• 31	209221	Container 100 lt	1
32	200062	Handle	2
33	209069	Closure	2
34	200051	Bracket	2
35	200069	Handlebar	1
36	200073	IHandlebar	1
37	200065	Washer	4

Pos.	Code	Description	Q.ty
38	200066	Spring 65 lt	2
38	200067	Spring 100 lt	2
39	209166	Guide	2
40	200075	Cap	2
41	209160	Post 65 lt	2
41	204230	Post 100 lt	2
42	200072	Bush	2
43	200070	Lever	2
44	200071	Pin	2
45	204232	Bracket	4
46	200053	Pin	1
47	200058	Mouthpiece	1
48	204231	Base	1
49	200078	Wheel	2
50	204233	Pin	2
51	200080	Wheel with brake	1
52	200064	Wheel 65 lt	3
52	200064	Wheel 100 lt	4
53	201116	Wheel	1
54	200081	Basket	1
55	200967	Pressure gauge	1
56	200083	Tube	mt 0,2
57	200372	Pipe-fitting	1
58	209074	Coupling	1
59	201155	Ring	3
60	200028	Valve	3
61	200027	Gasket	3-2
62	200026	Motor 220V	3-2
62	209065	Motor 110V	3-2
63	200025	Gasket	3-2
64	204634	Cable loop	1
65	200518	Cable loop	1
66	201158	Nut	1
67	200097	Skintop	1
68	204835	Cable x 220V	mt 6
68	209066	Cable x 110V	mt 6
69	209225	Cable 220V	1
69	209226	Cable 110V	1
< 69	209227	Cable 220V	1
< 69	209228	Cable 110V	1
70	204378	Connect. 220V	1
70	209067	Connect. 110V	1
71	209058	Switch	3

• Inox

< 2 motors

INDUSTRIAL VACUUM CLEANER M/65 SPECIAL M/100 SPECIAL