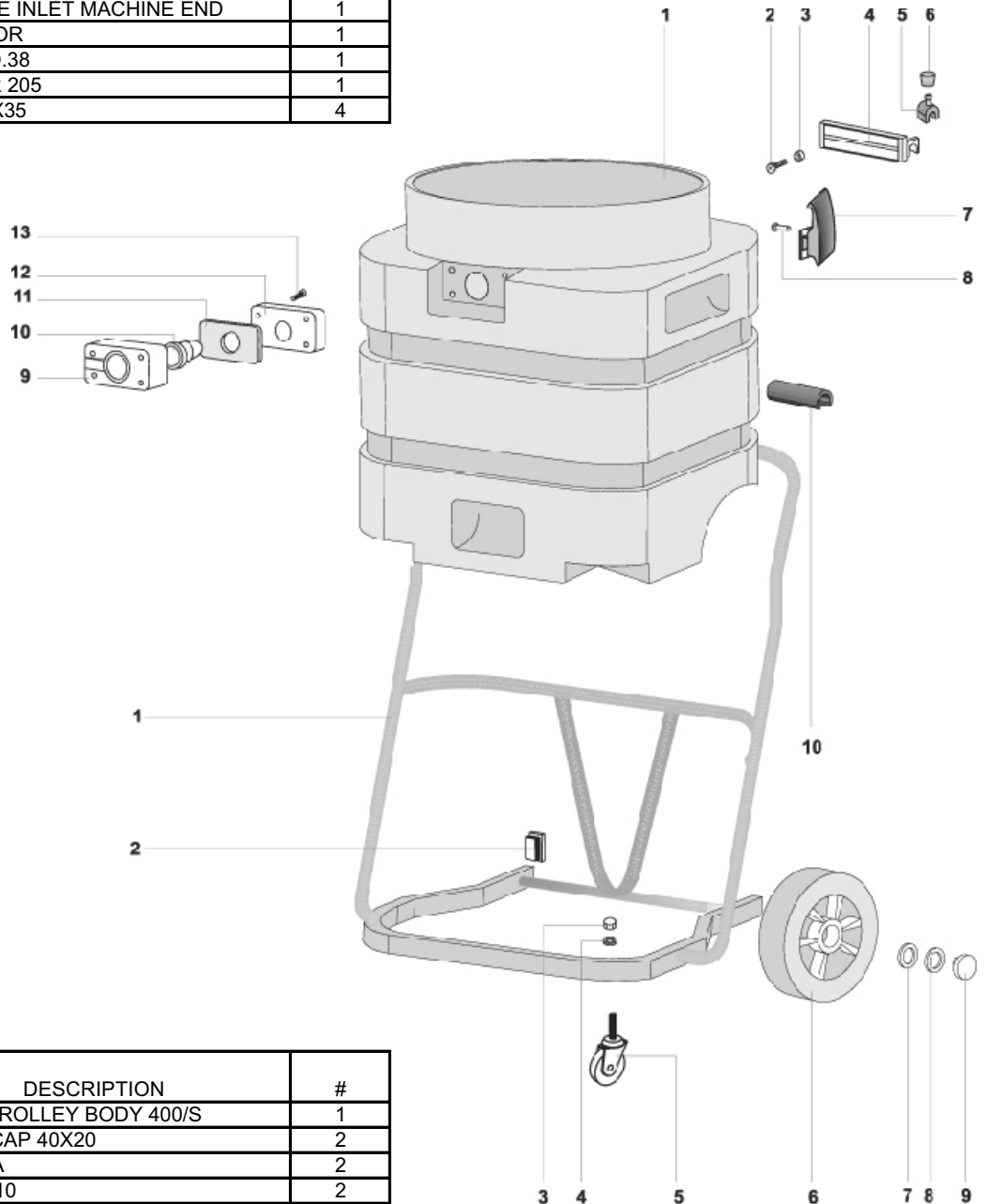


Tank

Assembly Part No: 2218

POS	PART NUMBER	DESCRIPTION	#
1	VP02048	TIPPING PLASTIC TANK 400/S	1
2	VP01026	SCREW 5X30	4
3	VP03883	COMPLETE SEAL	4
4	VP03028	BODY HINGE NEVADA	1
5	VP02970	GRIPPING HINGE	2
6	VP02969	HINGE KNOB	2
7	VP01847/S	HOOK PLASTIC COMPLETE	2
8	VP01300	RIVET 5X24,5	4
9	VP02652 A	COMPLETE INLET MACHINE END	1
10	VP02593	DEFLECTOR	1
11	VP02846	GASKET D.38	1
12	VP02586	GASKET R 205	1
13	VP01050	SCREW 5X35	4



Trolley

Assembly Part No: 2219

POS	PART NUMBER	DESCRIPTION	#
1	VP02185	TIPPING TROLLEY BODY 400/S	1
2	VP00976	PLASTIC CAP 40X20	2
3	VP00478	NUT 10 MA	2
4	VP01012	WASHER 10	2
5	VP00479	FRONT WHEEL	2
6	VP02896	WHEEL SR 250	2
7	VP02922	BLOC D.20	2
8	VP03607	WASHER PLAST. D.40X20,5X3	2
9	VP02972	CUP WHEEL D.250	2
10	VP06250	PLAST.TROLLEY HANDLE	2